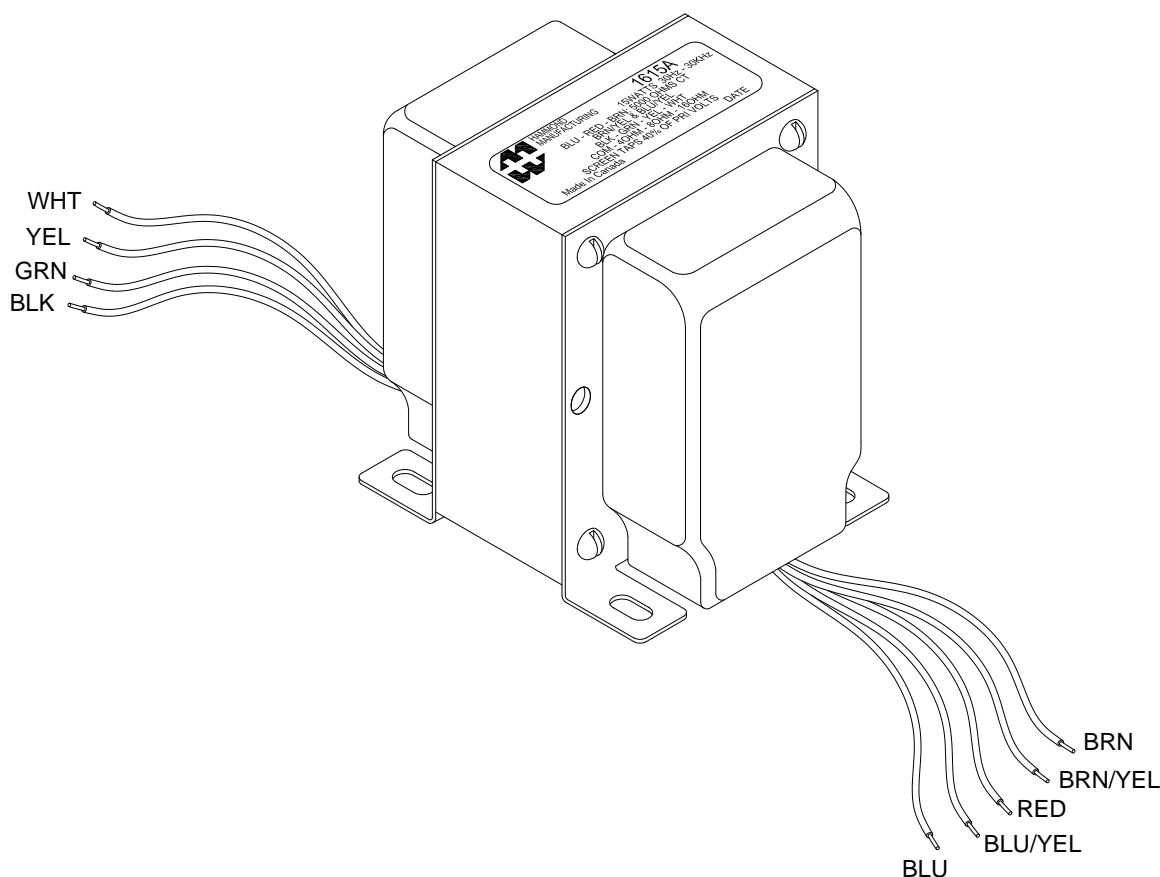


1615A

HI-FI AUDIO OUTPUT MULTIPLE SECONDARY TRANSFORMER

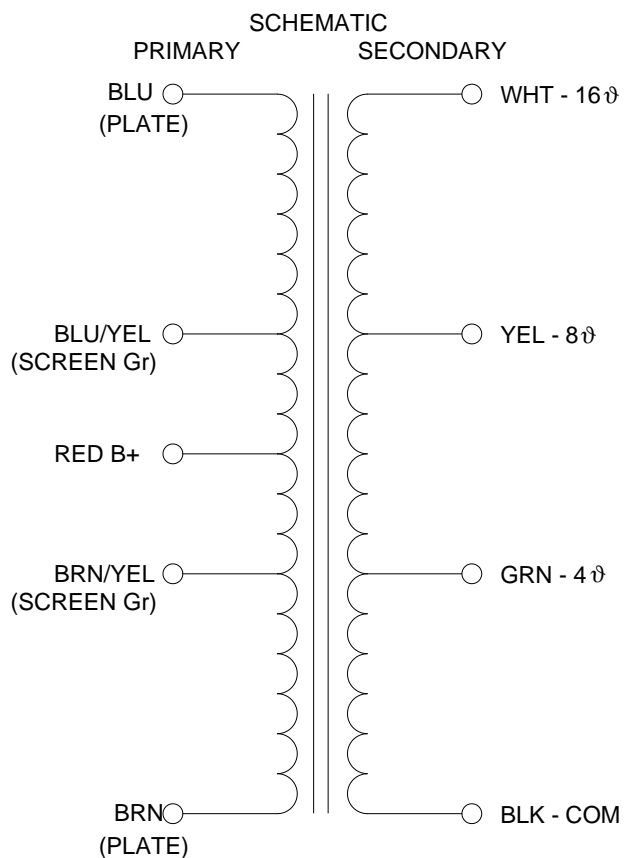
- J NEW & improved version of our 1608-1650 Series multiple secondary output transformers (Re-designed secondaries for easy hook-up of secondary loads).
- J Designed for push-pull tube output circuits.
- J Units are designed to provide ample "headroom" at bass frequencies (Note the weight of each transformer).
- J All models have a secondary tapped for 4, 8 or 16 ohm outputs.
- J Enclosed (shielded), 4 slot, above chassis Type "X" mounting.
- J Manufactured with plastic coil forms for coil support and insulation.
- J Frequency response 30Hz. to 30Khz. at full rated power (+/- 1db max. - ref. 1Khz) minimum.
- J Insulated flexible leads 8" min.
- J Included 40% screen taps for Ultra-Linear operation (if desired).
- J Typical applications - Push-Pull: triode, Ultra-Linear pentode, pentode and tetrode connected audio output.



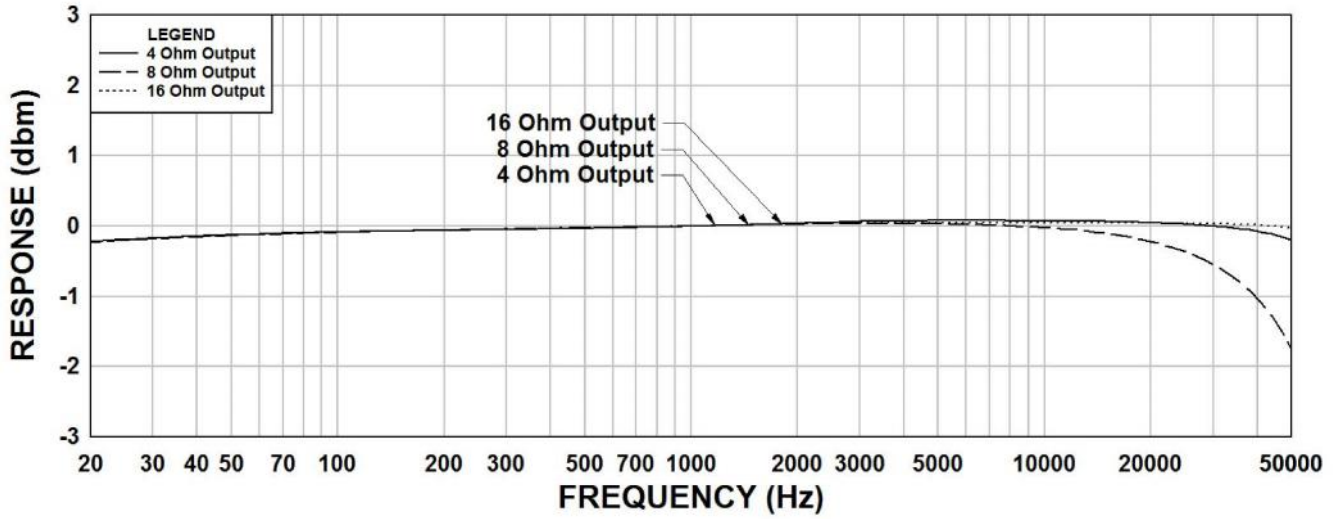
*For Full Dimensional Details see page 4

ELECTRICAL SPECIFICATIONS****Schematic and Hook Up Data**

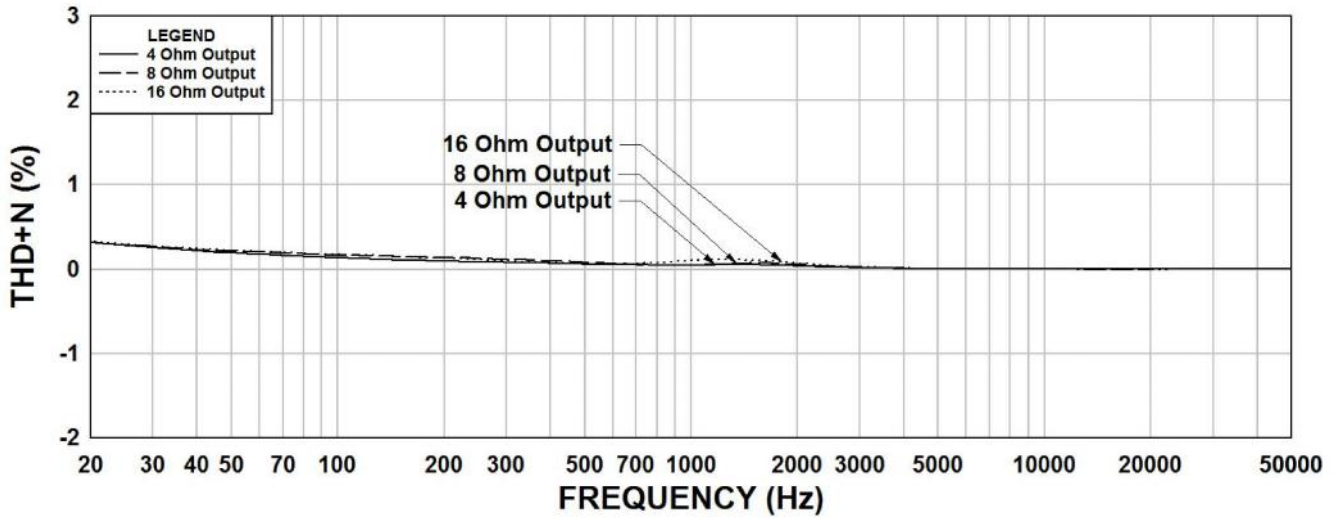
Characteristic	Typical
Input Impedance	5000 \varnothing
Output Impedance	4 \varnothing /8 \varnothing /16 \varnothing
Output Power	15Watts
Primary - DCR	
Blue – Brown	181.8 \varnothing
Secondary DCR	
Black – Green	193m \varnothing
Black – Yellow	307m \varnothing
Black – White	379m \varnothing
Inductance	@ 1.0kHz, 1.0V OC
Primary – Blue – Brown	7.5Hy
Black – Green	70.2mH
Black – Yellow	125.9mH
Black – White	210.4mH
Impedance	@ 1.0kHz, 1.0V OC
Primary – Blue – Brown	46.6K \varnothing
Black – Green	186.4 \varnothing
Black – Yellow	356.3 \varnothing
Black – White	612.8 \varnothing
Frequency Response	See graphs for specific response, Typ. $\left\{ \begin{array}{l} 1.0\text{db from} \\ 30\text{Hz to } 30\text{KHz} \end{array} \right.$
Dielectric Strength	2000Vrms
Temperature Range	-40 To 105 \varnothing C



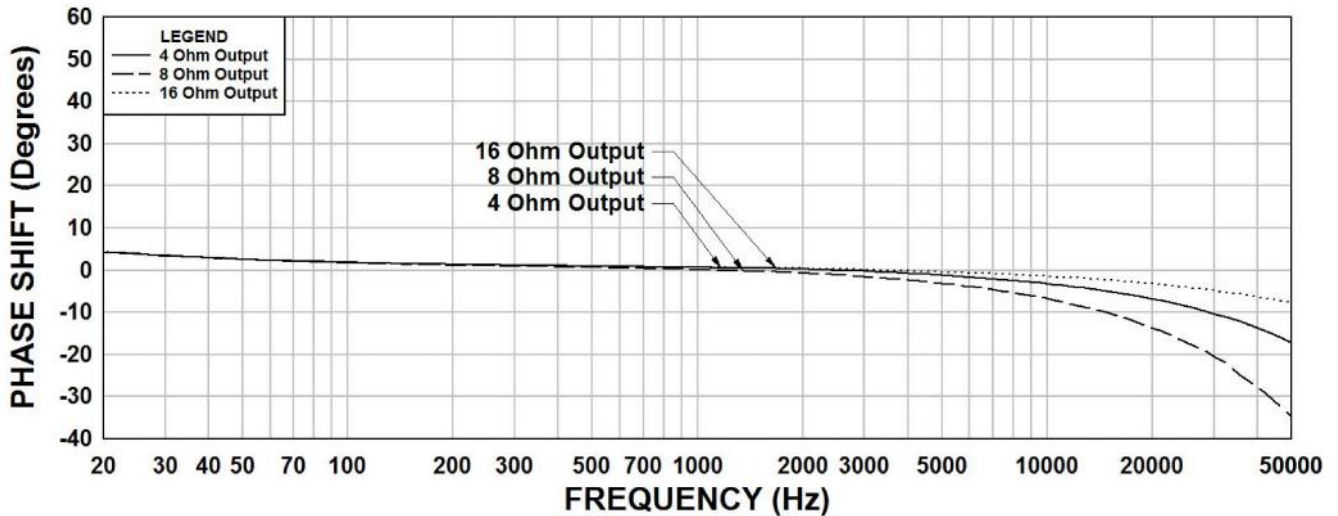
1615A Frequency Response $R_s = 5K$ Ohms



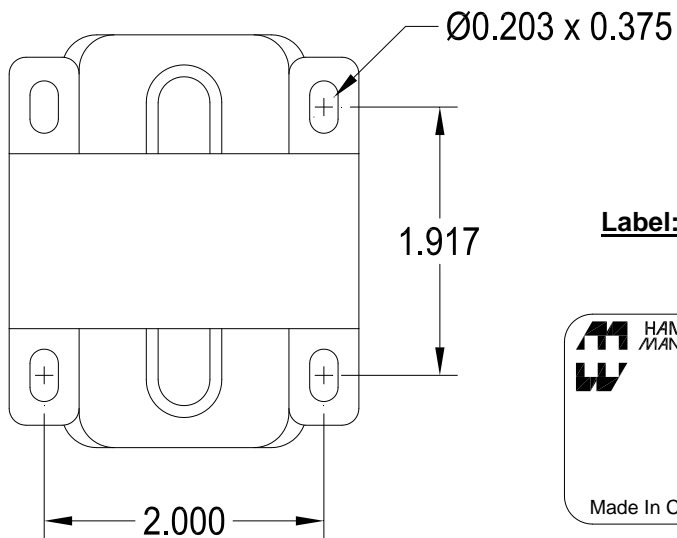
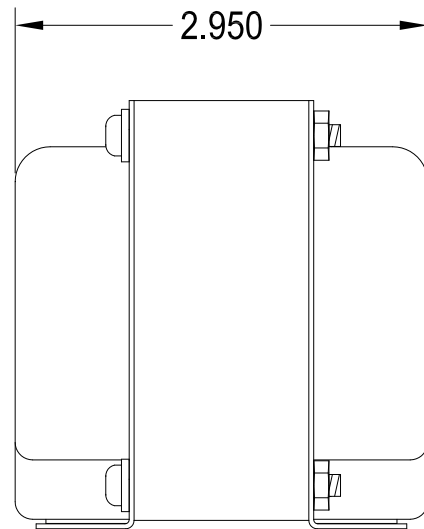
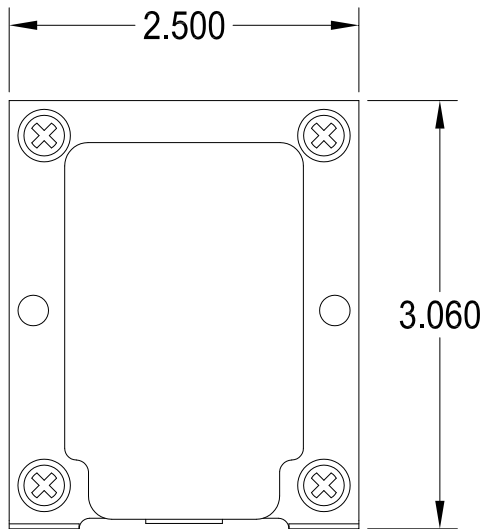
1615A THD+N $R_s = 5K$ Ohms



1615A Phase Shift $R_s = 5K$ Ohms



Dimensional Details:



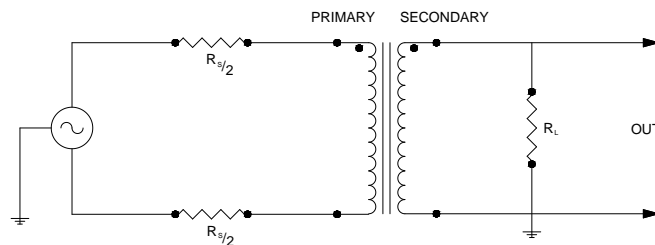
Label:

	HAMMOND MANUFACTURING _{co.}	1615A
	15WATTS 30Hz - 30KHz BLK - GRN - YEL - WHT COM - 4OHM - 8OHM - 16OHM BLU - RED - BRN: 5000 OHMS CT BRN/YEL & BLU/YEL SCREEN TAPS 40% OF PRI VOLTS Made In Canada	DATE

TYPICAL TEST CIRCUIT

Measurement instruments
 Hp4192a impedance analyzer
 Hp3456a DVM
 Keithley 2002 DVM
 D scope series iii audio analyzer
 Wayne Kerr 3255B with a 3265B

* All graphs input level 20dbu.
 ** The results are typical and are subject to normal manufacturing and electrical tolerances.



This drawing and the information in it is the property of Hammond Manufacturing. It may not be reproduced, transmitted or used in any manner whatsoever without the written permission of Hammond Manufacturing. Data subject to change without notice.