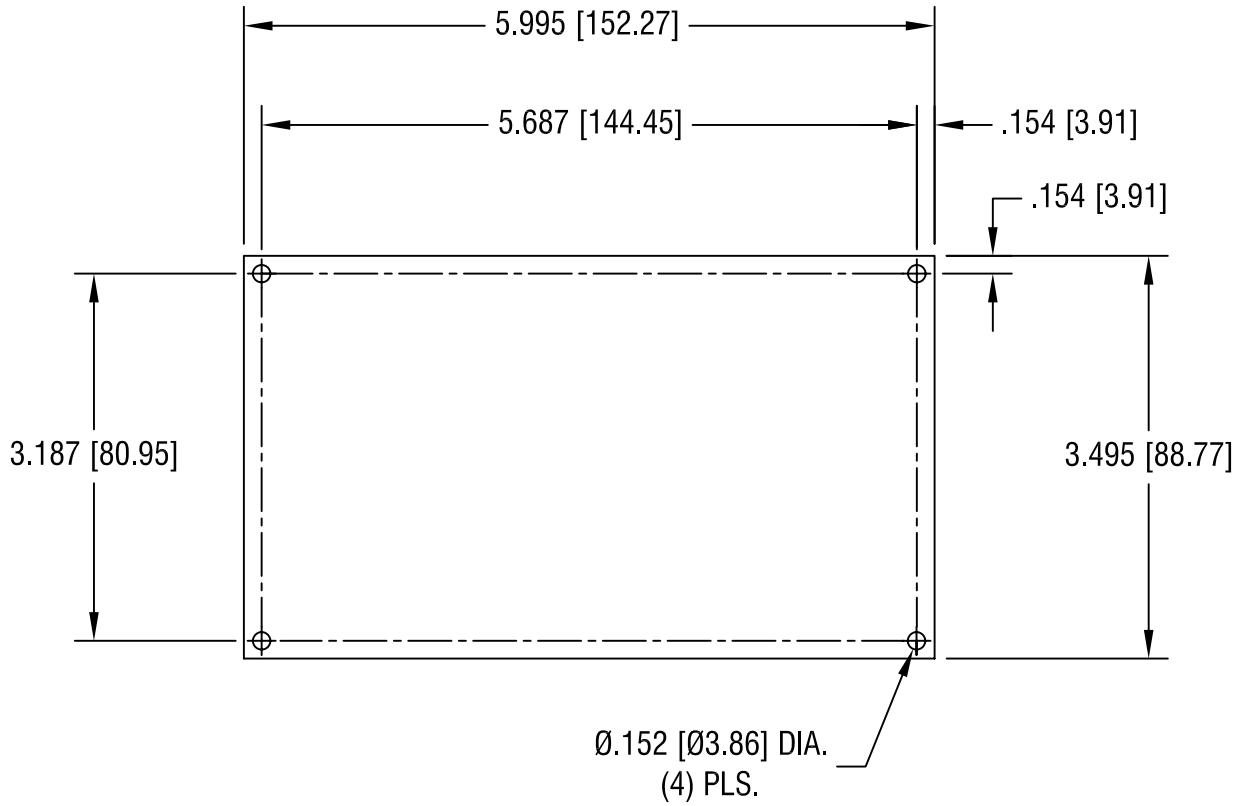


THIS DOCUMENT IS THE PROPERTY OF
KEYSTONE ELECTRONICS CORP. AND
SHALL NOT BE REPRODUCED, DISTRIBUTED
OR USED AS A BASIS FOR MANUFACTURE
WITHOUT PRIOR WRITTEN PERMISSION
FROM KEYSTONE ELECTRONICS CORP.



8.24.07	CHANGED AS PER ECN 07-049	B
2.6.91	REVISED	A
DATE	DESCRIPTION	REV.

KEYSTONE ELECTRONICS CORP.			
ASTORIA, N.Y. 11105-2017			
PART NAME		PANEL	
MATERIAL		.062 [1.57] THK ALUMINUM	
FINISH	-	DRN BY	NT
		DATE	8.2.82
		APP'D	SCALE
			.6X
TOLERANCES	INCH [MM]	CODE	DWG NO.
DECIMAL	$\pm .005$ [± 0.15]	C	2046
ANGULAR	$\pm 1^\circ$		
UNLESS OTHERWISE SPECIFIED			