

Technical features

Display modules

H745

Main applications :

- ▶ Petrol price signs.
- ▶ Scoreboards, sport timing.
- ▶ Queuing systems, stock exchange board.
- ▶ Industrial displays.
- ▶ Advertising, information board.
- ▶ Toll indications boards for highways and tunnel bridges.
- ▶ Time, temperature, date and sound displays.



Technical features :

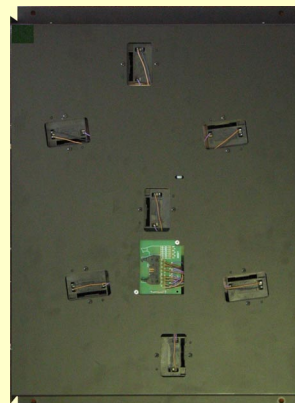
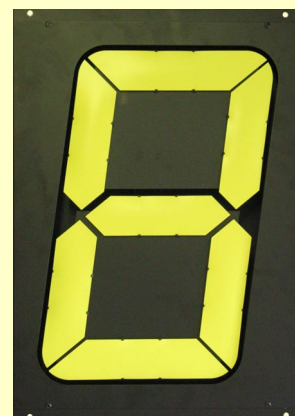
- ▶ Bi-stable 7 segments electromagnetic display modules with individually controlled segments.
- ▶ Character height : 45 cm.
- ▶ White or yellow segments and black background.
- ▶ Casing in aluminium and segments in polycarbonate material.
- ▶ Reflective display technology ideal for outdoor applications.
- ▶ No power consumption at rest and very low at state change.
- ▶ Maintenance free operation.
- ▶ Life expectancy over 70 million operations.
- ▶ Power supply 12V +/- 20%.

Environment :

- ▶ Temperature : -40°C to +80°C (when using permanently above 40°C (104°F), the voltage at segment coils must be 12V minimum).
- ▶ Humidity up to 93 % without condensation.

Norms :

- ▶ Low power supply : norm NF EN60950.
- ▶ Electromagnetic compatibility : norm NF EN50081-1.
norm NF EN50082-1.



Display modules references

	Yellow segments	White segments
▶ With multiplexing card	917037	917044



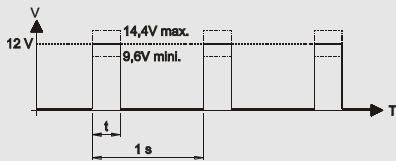
Ref. 643661A

Technical features

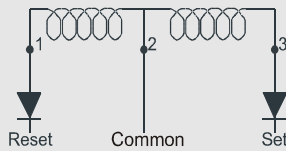
Display modules

H745

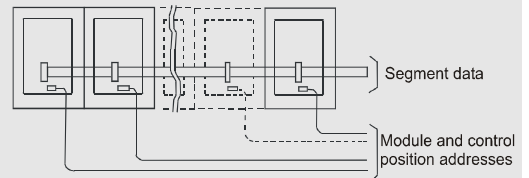
Impulses diagram



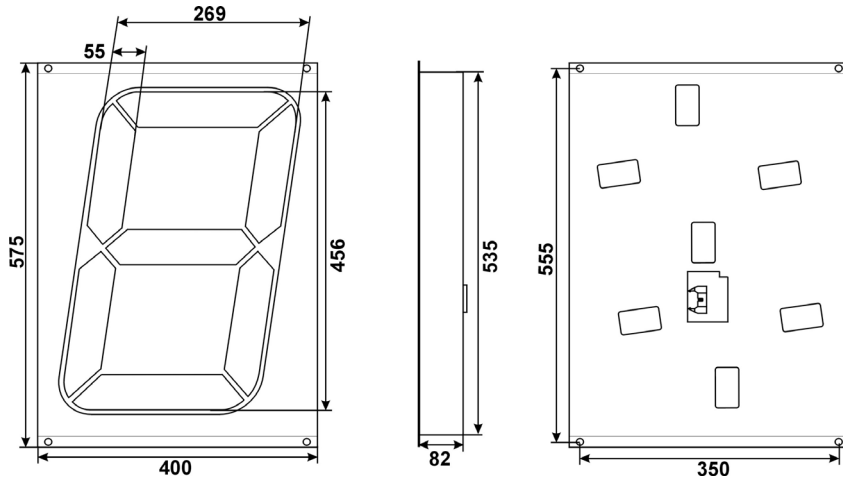
Coil electrical diagram



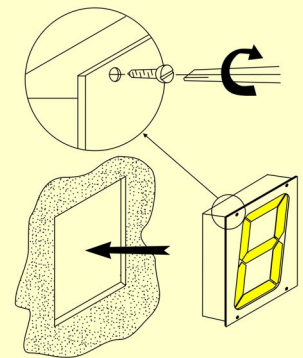
Wiring principle – Multiplexing



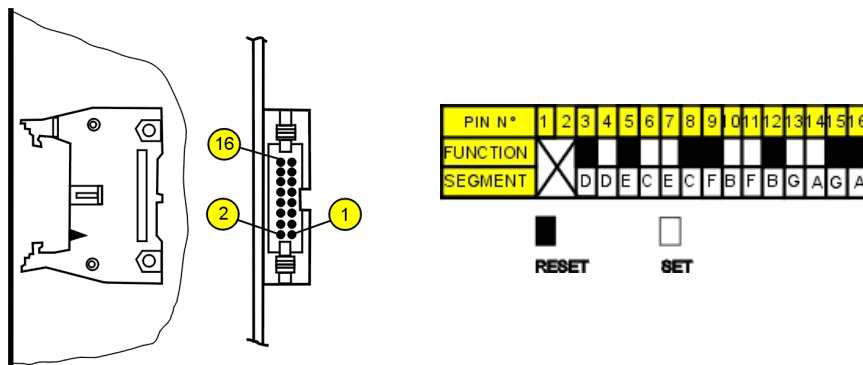
Dimensions H745 in mm



Mounting principle



Card connector



Technical features	H745
Maximum readability	200 m
Character size	456 mm
Module weight	3,4 kg
Voltage requirement at 20°C (68°F)	12V ± 20%
Minimum pulse duration	t = 150 ms
Pulse current per segment at 12 V, at 20°C (68°F)	353 mA
Coil resistance at 20°C	34 Ω

