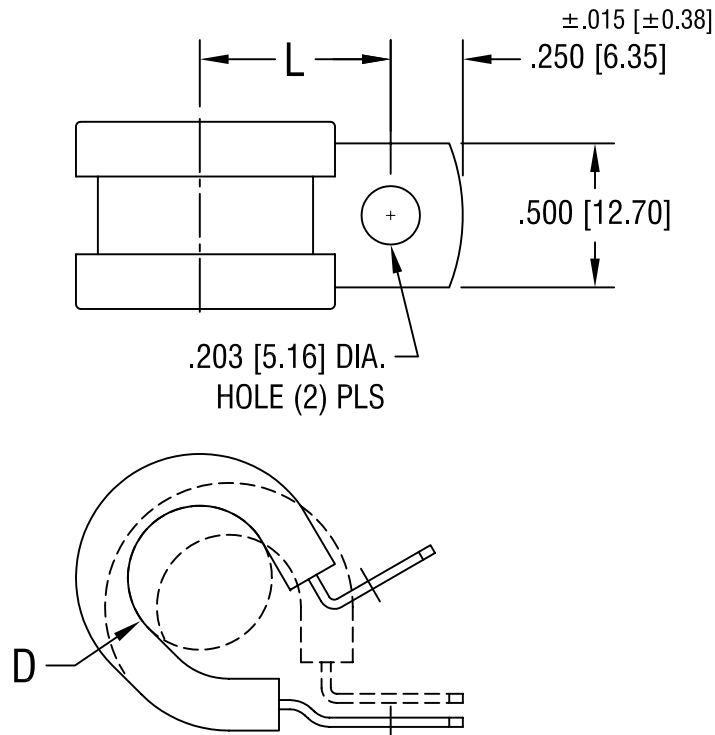


THIS DOCUMENT IS THE PROPERTY OF
KEYSTONE ELECTRONICS CORP. AND
SHALL NOT BE REPRODUCED, DISTRIBUTED
OR USED AS A BASIS FOR MANUFACTURE
WITHOUT PRIOR WRITTEN PERMISSION
FROM KEYSTONE ELECTRONICS CORP.



| | |
|---------------------------------------|-------------------------------------------|
| $\pm .032$ [± 0.81] 'L' DIM. | $\pm .032$ [± 0.81] 'D' FOR DIA. |
| .843 [21.40] | .875 [22.20] |

KEYSTONE ELECTRONICS CORP.

ASTORIA, N.Y. 11105-2017

PART NAME

CUSHIONED CABLE CLAMP

MATERIAL

.032 [.81] TH'K STAINLESS STEEL, EPDM RUBBER

FINISH

-

DRN BY

BOONE

DATE

12.4.06

APP'D

LN

SCALE

NONE

TOLERANCES

INCH [MM]

CODE

DWG NO.

DECIMAL $\pm .010$ [± 0.25]

C/M

ANGULAR $\pm 1^\circ$
UNLESS OTHERWISE SPECIFIED

8095

DATE

DESCRIPTION

REV.