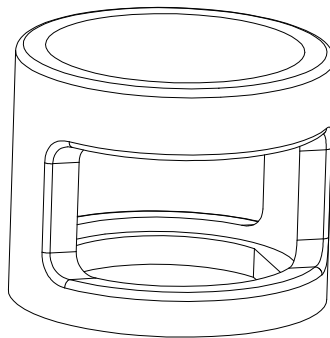


Technical Data

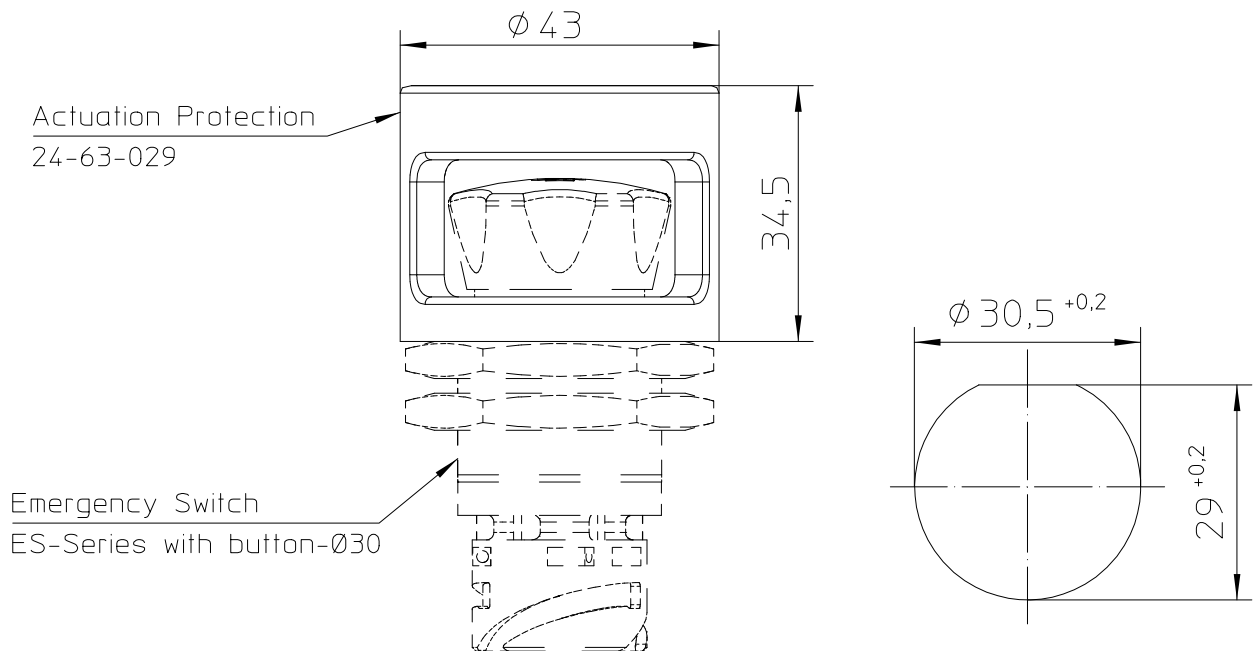
Construction

Material..... PA 25 GF RAL 1003; UL 94 V0

Suitable for ES-Series with button-Ø30mm



Mounting dimensions of Actuation Protection



For this drawing we reserve the copyright in accordance with DIN ISO 16016

	Date	Name	mm ↔	Scale 1:1		Drawing No:
Create	18.01.2017	Hamar				General Tolerances DIN ISO 2768 cL
Edited	30.10.2019	Baumg	NSN:			
Check	30.10.2019	Nonne				