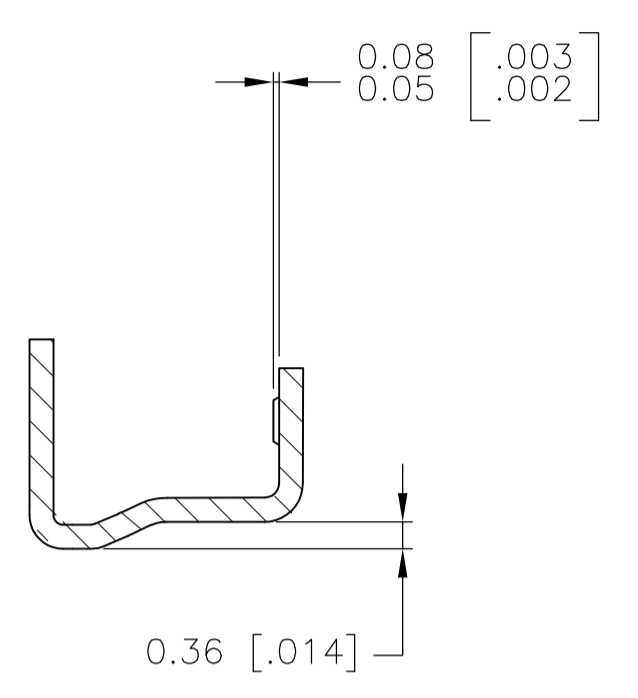
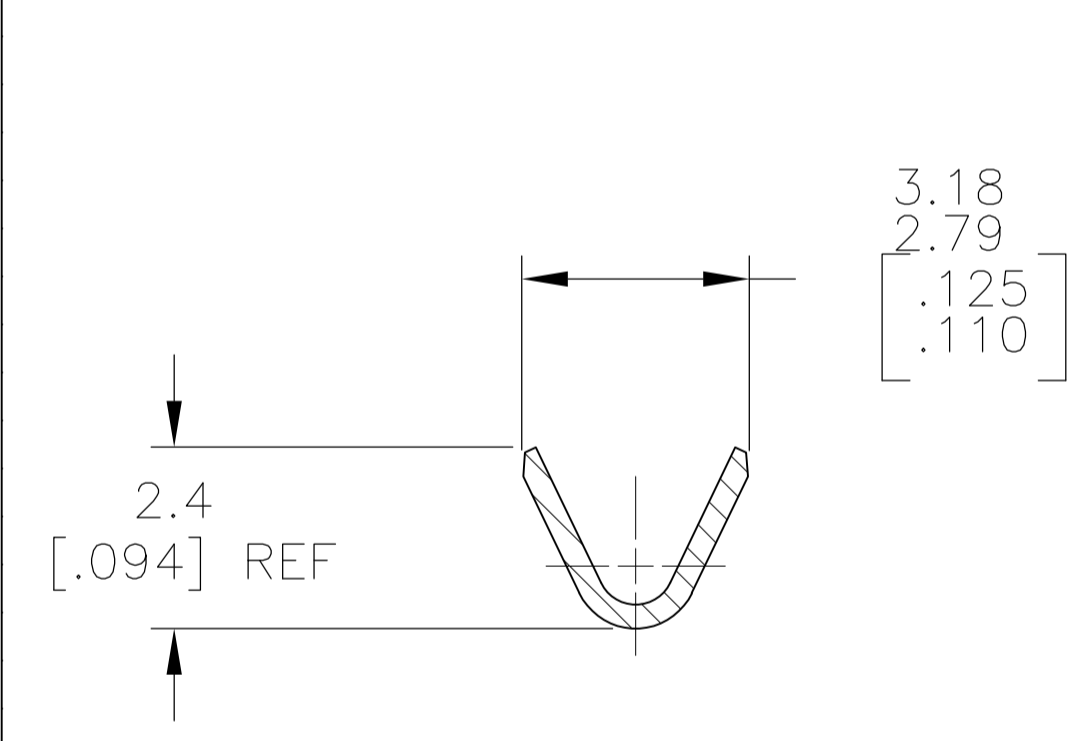
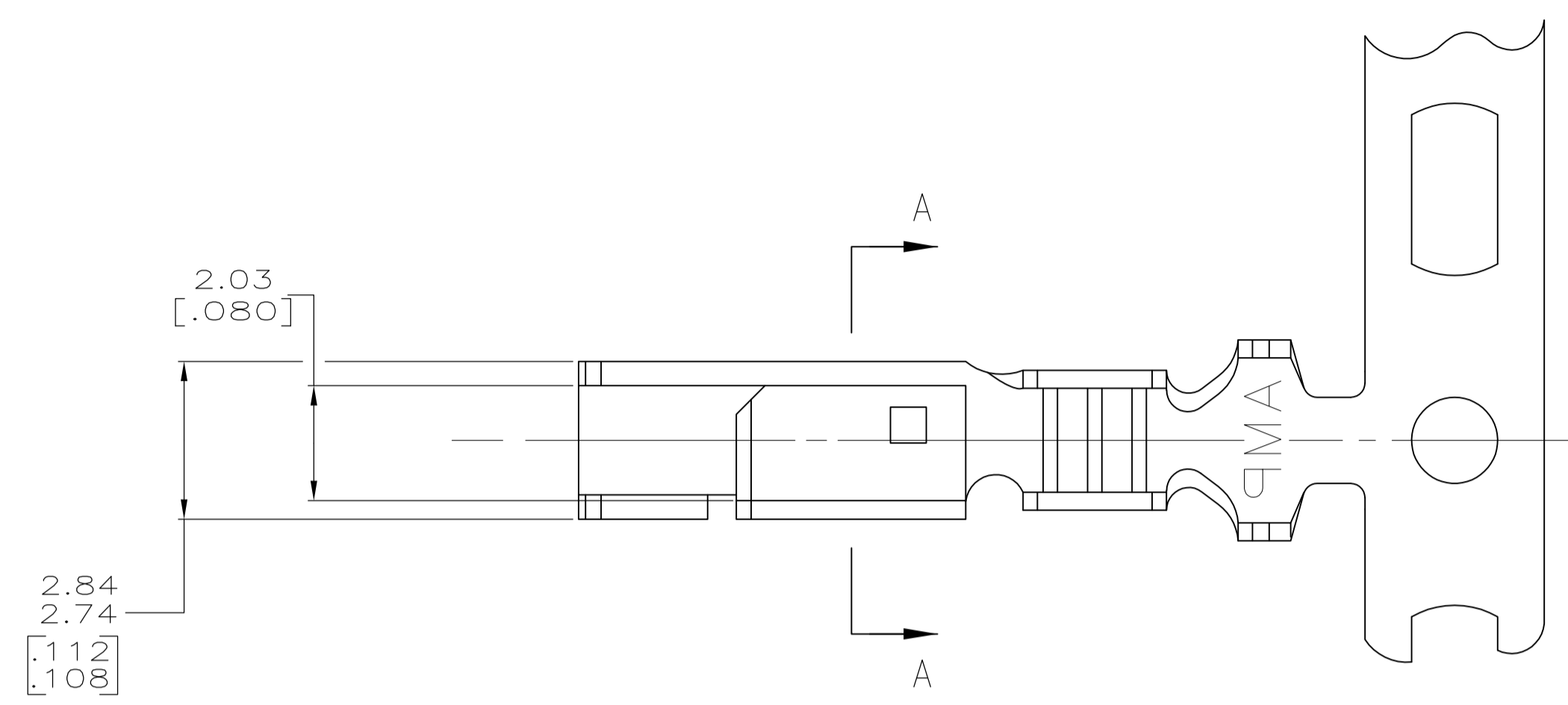


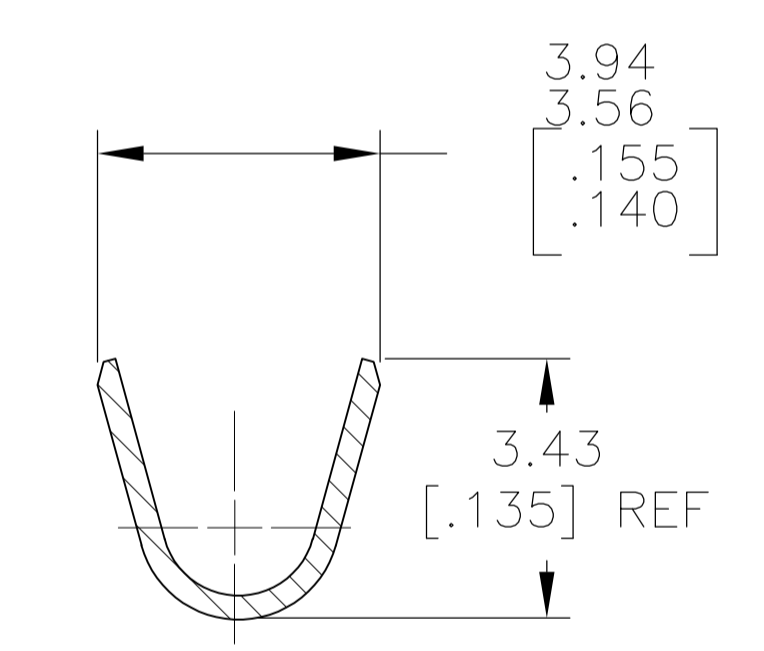
LOC		DIST		REVISIONS			
P	LTR	DESCRIPTION	DATE	DN	APVD		
K2		REVISED PER ECR-17-018493	04JAN2018	BDA	SG		



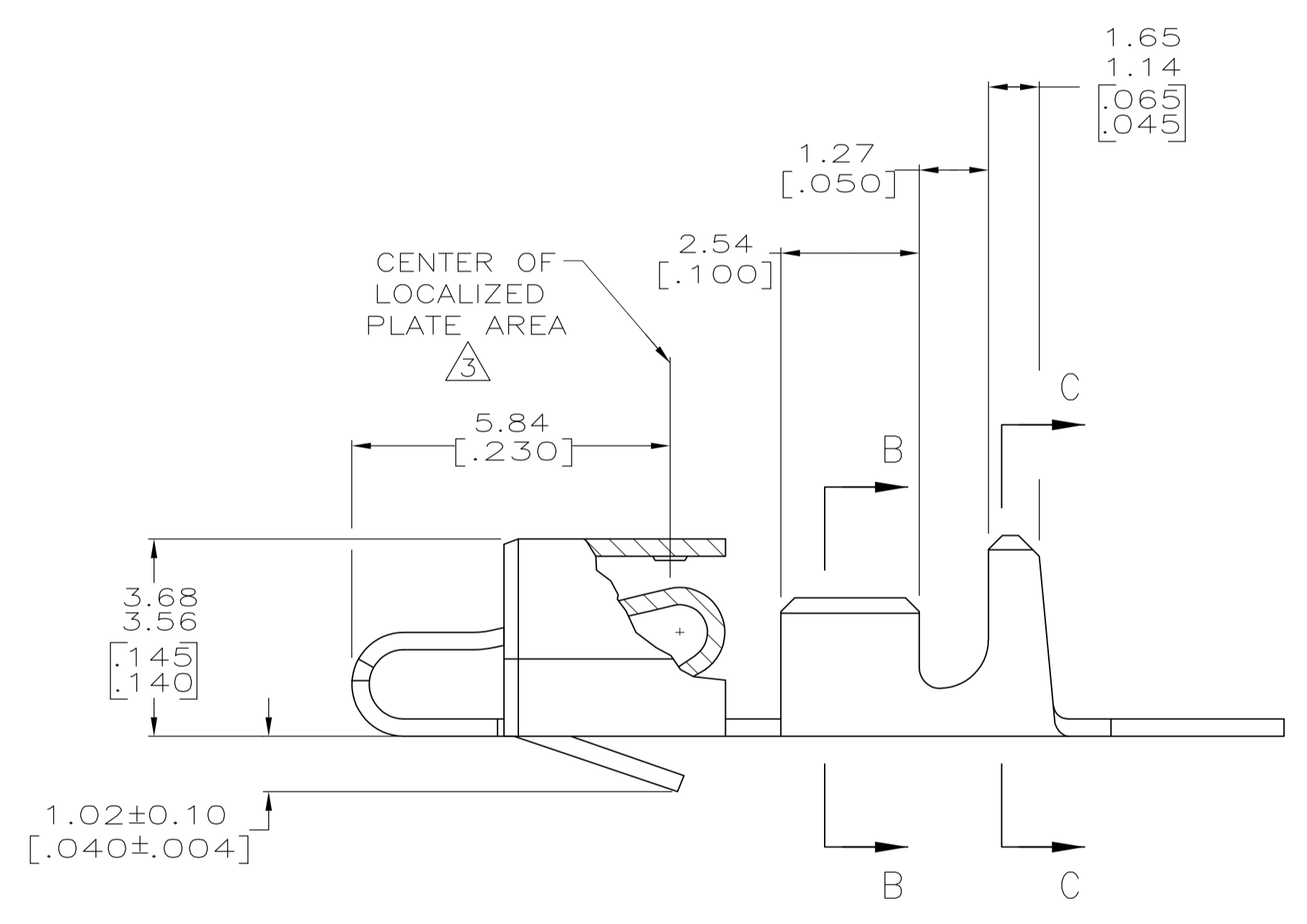
SECTION A-A



SECTION B-B



SECTION C-C



- INSULATION RANGE: 1.09–2.79 [.043–.110]
WIRE RANGE: 0.2–0.9 mm² (24–18) AWG.
- 0.00203 [.000080] MIN BRIGHT MATTE TIN-LEAD OVER
0.00127 [.000050] MIN NICKEL.
- 0.00076 [.000030] MIN THICK GOLD STRIPES IN
LOCALIZED PLATE AREA ON BEAM AND DIMPLE OVER
0.00127 [.000050] MIN THICK NICKEL OVER ENTIRE
CONTACT.
- DIMENSIONS IN BRACKETS ARE IN INCHES.
- 0.00203 [.000080] MIN TIN OVER
0.00127 [.000050] MIN NICKEL.
- OBSOLETE

5	3-770476-1
3	770476-2
2	770476-1
FINISH	PART NO.

THIS DRAWING IS A CONTROLLED DOCUMENT.

DIMENSIONS: mm [INCHES]	TOLERANCES UNLESS OTHERWISE SPECIFIED:	DIN K. WHITAKER CHK J. ELLIS APVD J. ELLIS NAME	18OCT2004	TE Connectivity RECEPTACLE, SL-156		
0 PLC ± - 1 PLC ± - 2 PLC ± - 3 PLC ± .005 4 PLC ± - # 0.30° ANGLES ± - # 0.30°	PRODUCT SPEC APPLICATION SPEC	SIZE A1	CAGE CODE 00779		DRAWING NO. 770476	RESTRICTED TO
MATERIAL	FINISH	WEIGHT	CUSTOMER DRAWING	SCALE 10:1	SHEET 1 OF 1	REV K2