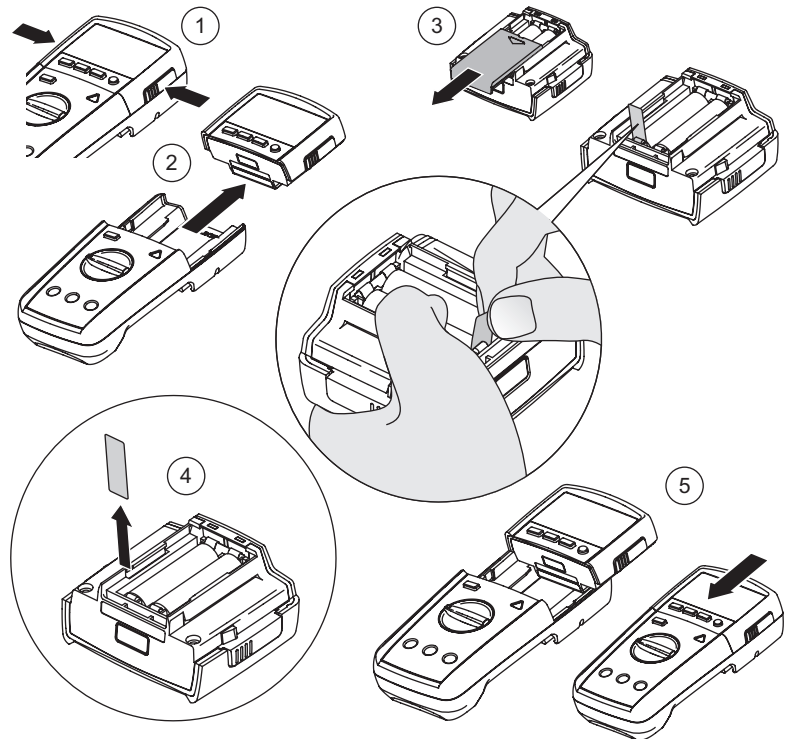
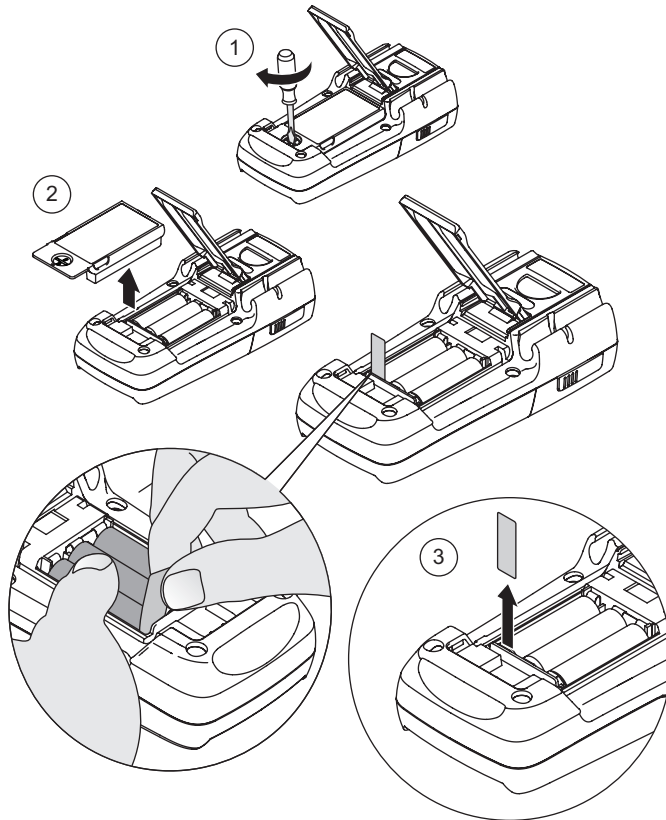


True-rms Remote Display Digital Multimeter



Ignore rF Err