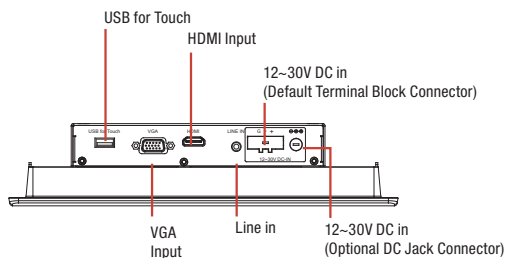


10.4" Touch Display Monitor, DC 12~30V



Features

- 10.4" SVGA (800 x 600) TFT LCD Display
- Provide Projective Capacitive Touch or Resistive Touch Screen
- IP65 Aluminum Front Bezel
- DC 12~30V with Over Voltage/Current, Under Voltage Protection
- Optional Built-in Speakers

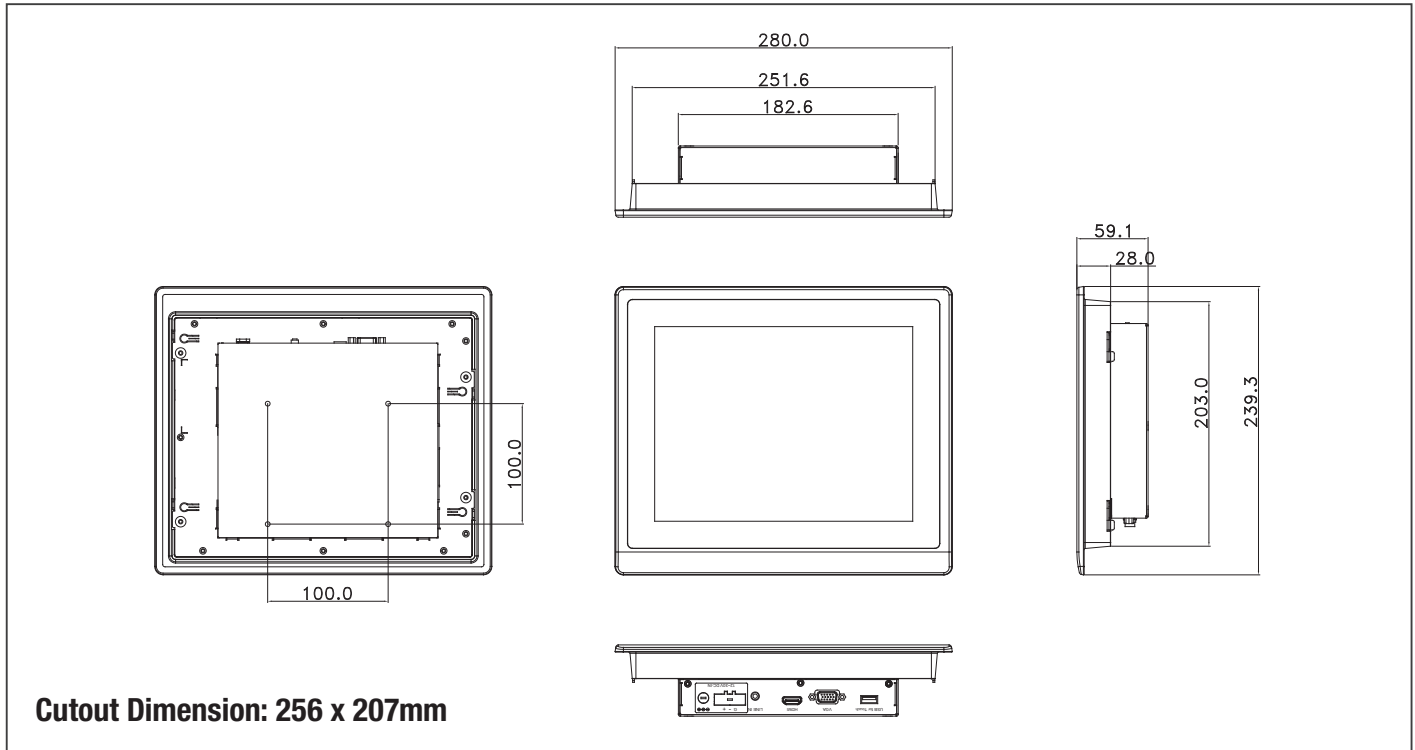


Specifications

| System | |
|---------------------------|---|
| Input Signal | VGA / HDMI |
| On Screen Display Control | 5 keys OSD keypad (Up, Down, Menu, Auto, Power) |
| I/O Port | DB9 VGA x 1 HDMI x 1 USB x 1 (For Enable T/S Function) Line in x 1 (For optional internal Speaker) Power Input x 1(Terminal Block 3pin) |
| Os Support | Windows® 7 32/64 bit, Windows® 8 32/64 bit, Windows® 10 64 bit, Linux Ubuntu 16.04 |
| Mechanical | |
| Construction | IP65 aluminum front bezel & SGCC chassis |
| Mounting | Panel Mount / VESA 100x100 / Stand |
| Dimension | 11.0" x 9.4" x 2.33" (280mm x 239.3mm x 59.1mm) |
| Carton Dimension | 16.3" x 15.4" x 7.04" (415mm x 391mm x 179mm) |
| Gross Weight | 7.9 lbs (3.6 kg) |
| Net Weight | 1.1 lbs (2.4 kg) |
| Environmental | |
| Operating Temperature | 14°F ~ 131°F (-10°C ~ 55°C) With 0.5m/s Airflow |
| Storage Temperature | -4°F ~ 140°F (-20°C ~ 60°C) |
| Storage Humidity | 10%~90% @104°F (40°C); non-condensing |
| Vibration | 1 Grms / 5~500Hz/random Operation |
| Shock | — |
| EMC | CE/FCC, Class A |
| Power Supply | |
| Dc Input | DC 12~30V Power Input with 3 Pin Terminal Block |
| LCD | |
| Display Type | 10.4" TFT-LCD |
| Max. Resolution | 800 x 600 |
| Max. Colors | 16.2M |
| Luminance | 230 cd/m ² |
| Viewing Angle | 160°(H), 130°(V) |
| Back Light | LED |
| Back Light MTBF (Hours) | 30,000 |
| Touchscreen | |
| Type | Projective Capacitive Multi Touch or 5 Wire Resistive Touch Screen (By Model) |
| Light Transmission | P-CAP (90% ± 3%), 5-wire Resistive (80% ± 3%) |
| Life Time | — |

Dimension

Unit: mm



Ordering Information

| Part Number | Display Type | Max. Resolution | Luminance | View Angle | Backlight MTBF (Hours) | Display | Mounting | Power | Temp. | Touch | Others |
|----------------------|---------------|-----------------|-----------------------|----------------|------------------------|---------------------|-------------------------|------------|---|-----------------------|--------|
| OMNI-310MHTT-A1-1010 | 10.4" TFT-LCD | 800 x 600 | 230 cd/m ² | 120(H), 100(V) | 50,000 | VGA x 1 HDMI x 1 | Panel mount VESA 100 | DC 12V~30V | 14°F ~ 131°F (-10°C ~ 55°C) (with 0.5 m/s airflow) | Flat 5 Wire Resistive | — |
| OMNI-310MHTT-A2-1010 | 10.4" TFT-LCD | 800 x 600 | 230 cd/m ² | 120(H), 100(V) | 50,000 | VGA x 1 HDMI x 1 | Panel mount VESA 100 | DC 12V~30V | 14°F ~ 131°F (-10°C ~ 55°C) (with 0.5 m/s airflow) | Projected Capacitive | — |

Packing List

- OMNI-310M x 1
- VGA Cable x 1
- USB Cable for Touch x 1
- Touch Driver CD x 1
- Phoenix Power Connector

Optional Accessories

- **1255300402**
(TF) Adapter, AC/DC, input AC, 90~264, output DC, 12V, 3.3A, 40W, 3p phoenix, FSP, FSP040-RHAN2/9NA0404929
- **1702031802**
Power Cord (US Type)
- **1702031803**
Power Cord (European Type)
- **170203180E**
Power Cord (Japanese Type)
- **AP-0T9789LA1000**
LCD Monitor Stand 230mm, LA-100