
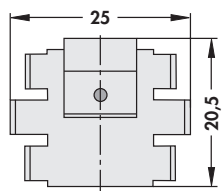
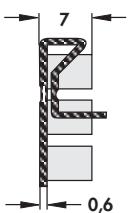

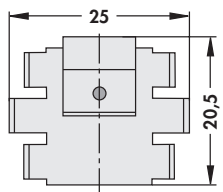
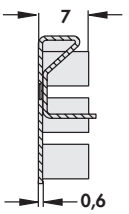
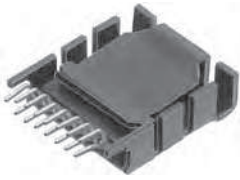
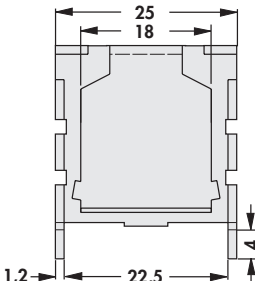
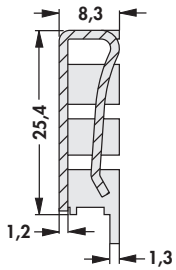


Attachable heatsinks

		
art. no.	R_{th} [K/W]	\diamond
FK 220 SA 220	25	TO 220
material:	aluminium	
surface:	black anodised	

– for transistors with thin bottom thickness (0.5 mm)

		
art. no.	R_{th} [K/W]	\diamond
FK 258 SA 220	25	TO 220
material:	aluminium	
surface:	black anodised	

		
art. no.	R_{th} [K/W]	\diamond
FK 224 ... P SIP	18	P SIP
please indicate:	... surface SA = black anodised MI = solderable surface	
material:	aluminium	