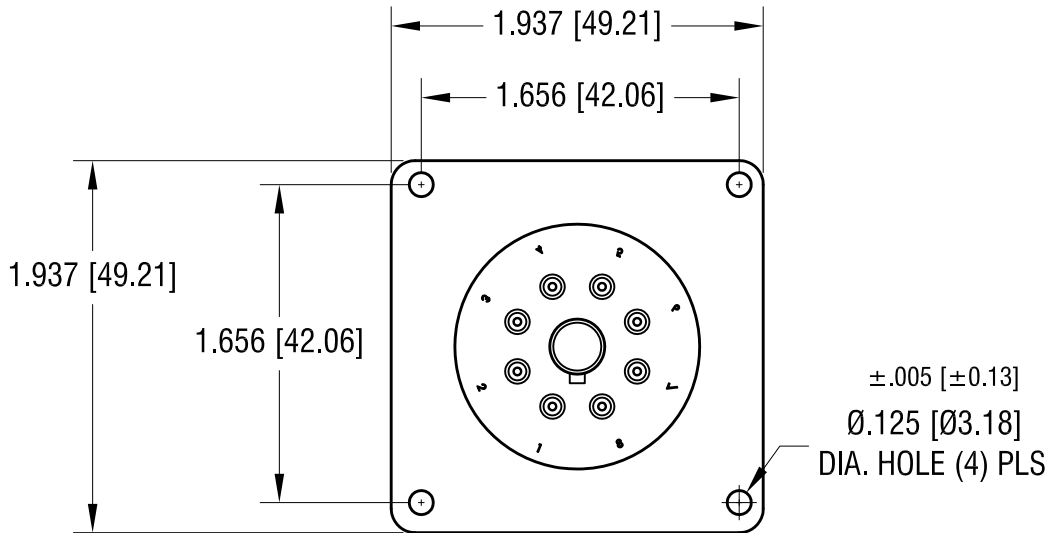
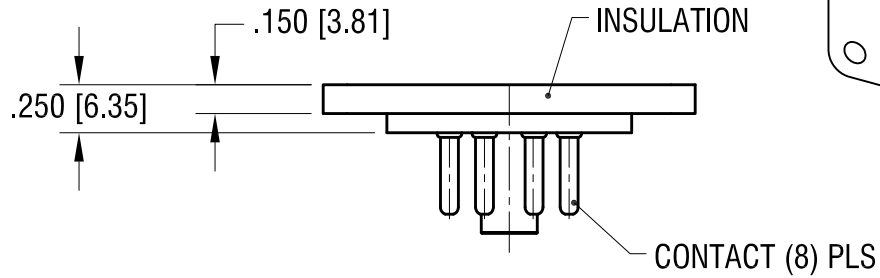
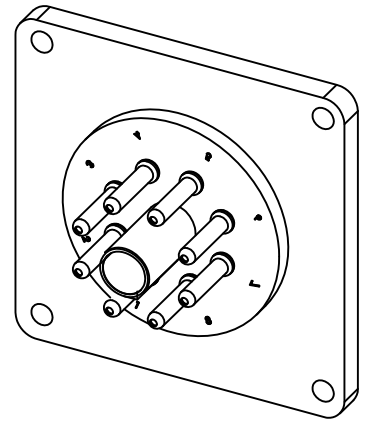


THIS DOCUMENT IS THE PROPERTY OF
KEYSTONE ELECTRONICS CORP. AND
SHALL NOT BE REPRODUCED, DISTRIBUTED
OR USED AS A BASIS FOR MANUFACTURE
WITHOUT PRIOR WRITTEN PERMISSION
FROM KEYSTONE ELECTRONICS CORP.



NOTE:

1. INSULATION: MAT'L- PHENOLIC
2. CONTACT: MAT'L- BRASS
FINISH- NICKEL PLATE

KEYSTONE ELECTRONICS CORP.			
www.keyelco.com • ASTORIA, N.Y. 11105-2017 • Tel (718) 956-8900			
PART NAME		HEADER	
MATERIAL		AS NOTED	
FINISH		DRN BY	DATE
AS NOTED		NT	8.04.11
		APP'D	SCALE
		LN	1.2X
TOLERANCES	INCH [MM]	CODE	DWG NO.
DECIMAL	± .015 [± 0.38]	C/M	685
ANGULAR	± 1°		
UNLESS OTHERWISE SPECIFIED			

8.04.11	CHANGE AS PER ECN 11-099	A
DATE	DESCRIPTION	REV.