

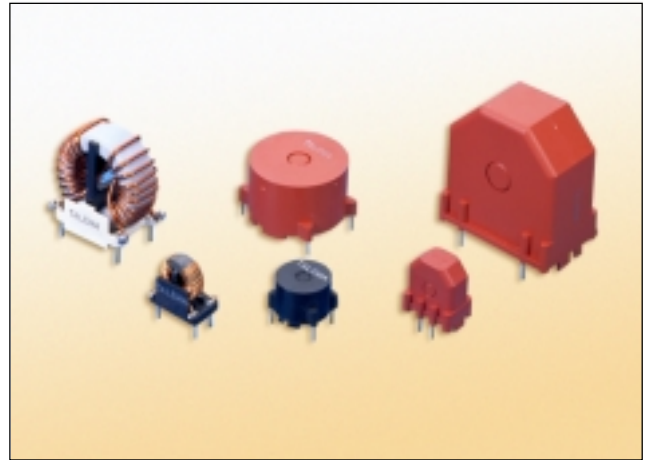


CA Series • Common Mode Toroidal Chokes

CA Series common mode toroidal chokes provide an efficient means of filtering supply lines having in-phase signals of equal amplitude thus allowing equipment to meet stringent electrical radiation specifications. Wide frequency ranges can be filtered by using high and low inductance Common Mode toroids in series. Differential mode signals can be attenuated substantially when used together with input and output capacitors.

Features

- Separated windings for minimum capacitance
- Meets requirements of EN138100, VDE 0565, part2: 1997-03 and UL1283
- 1500 VAC, 50 Hz withstanding voltage for 60 seconds min., exceeding requirements of EN60335
- Competitive pricing due to high volume production
- Manufactured in ISO-9001 approved facility



Electrical Specifications at 25°C

Part Number	I _{dc} Amp	L _O (mH) ±30% (2x)	DCR mOhm (2x)	Coil Size O.D. x Ht. (Nominal)	Mtg. Style Size			Part Number	I _{dc} Amp	L _O (mH) ±30% (2x)	DCR mOhm (2x)	Coil Size O.D. x Ht. (Nominal)	Mtg. Style Size		
					B	V / X	F						B	V / X	F
CA__-0.4-100	0.4	100	2,807	18 x 7	3	3	3	CA__-0.5-27	0.5	27	1,179	14 x 8	3	2	2
CA__-0.5-100	0.5	100	2,044	23 x 11	5	4	4	CA__-0.8-27	0.8	27	674	18 x 7	3	3	3
CA__-0.6-100	0.6	100	1,543	29 x 13	5	4A	6	CA__-1.0-27	1.0	27	537	23 x 11	5	4	4
CA__-1.4-100	1.4	100	484	49 x 30	8	9	9	CA__-1.4-27	1.4	27	279	30 x 14	5	4A	6
CA__-0.4-82	0.4	82	1,167	15 x 8	3	3	3	CA__-3.2-27	3.2	27	87	56 x 37	8	9	9
CA__-0.5-82	0.5	82	1,851	23 x 11	5	4	4	CA__-0.5-22	0.5	22	960	14 x 8	3	2	2
CA__-0.6-82	0.6	82	1,397	29 x 13	5	4A	6	CA__-0.9-22	0.9	22	542	18 x 7	3	3	3
CA__-1.6-82	1.6	82	350	51 x 32	8	9	9	CA__-1.0-22	1.0	22	485	23 x 11	5	4	4
CA__-0.3-68	0.3	68	3,692	15 x 8	3	2	2	CA__-1.5-22	1.5	22	227	30 x 14	5	4A	6
CA__-0.5-68	0.5	68	1,853	18 x 7	3	3	3	CA__-3.6-22	3.6	22	70	57 x 38	8	9	9
CA__-0.6-68	0.6	68	1,353	23 x 11	5	4	4	CA__-0.6-18	0.6	18	868	14 x 8	3	2	2
CA__-0.7-68	0.7	68	1,108	29 x 13	5	4A	6	CA__-1.0-18	1.0	18	439	18 x 7	3	3	3
CA__-1.8-68	1.8	68	277	52 x 33	8	9	9	CA__-1.1-18	1.1	18	388	23x 11	5	4	4
CA__-0.3-56	0.3	56	3,126	14 x 8	3	2	2	CA__-1.6-18	1.6	18	205	30 x 14	5	4A	6
CA__-0.5-56	0.5	56	1,518	18 x 7	3	3	3	CA__-3.9-18	3.9	18	57	57 x 38	8	9	9
CA__-0.6-56	0.6	56	1,378	23 x 11	5	4	4	CA__-0.6-15	0.6	15	793	14 x 8	3	2	2
CA__-0.8-56	0.8	56	807	29 x 13	5	4A	6	CA__-1.0-15	1.0	15	401	18 x 7	3	3	3
CA__-2.0-56	2.0	56	228	52 x 33	8	9	9	CA__-1.2-15	1.2	15	315	23 x 11	5	4	4
CA__-0.4-47	0.4	47	1,942	14 x 8	3	2	2	CA__-1.8-15	1.8	15	167	30 x 14	5	4A	6
CA__-0.5-47	0.5	47	1,390	18 x 7	3	3	3	CA__-4.3-15	4.3	15	47	57 x 38	8	9	9
CA__-0.6-47	0.6	47	1,001	23 x 11	5	4	4	CA__-0.7-12	0.7	12	709	14 x 8	3	2	2
CA__-0.9-47	0.9	47	658	29 x 13	5	4A	6	CA__-1.1-12	1.1	12	358	18 x 7	3	3	3
CA__-2.2-47	2.2	47	185	52 x 33	8	9	9	CA__-1.4-12	1.4	12	253	23 x 11	5	4	4
CA__-0.4-39	0.4	39	1,769	14 x 8	3	2	2	CA__-1.9-12	1.9	12	149	30 x 13	5	4A	6
CA__-0.5-39	0.5	39	1,267	18 x 7	3	3	3	CA__-4.9-12	4.9	12	37	57 x 38	8	9	9
CA__-0.6-39	0.6	39	912	23 x 11	5	4	4	CA__-0.7-10	0.7	10	647	14 x 8	3	2	2
CA__-1.0-39	1.0	39	537	29 x 13	5	4A	6	CA__-1.2-10	1.2	10	285	18 x 7	3	3	3
CA__-2.5-39	2.5	39	150	53 x 34	8	9	9	CA__-1.6-10	1.6	10	203	23 x 11	5	4	4
CA__-0.4-33	0.4	33	1,628	14 x 8	3	2	2	CA__-2.0-10	2.0	10	136	29 x 13	5	4A	6
CA__-0.6-33	0.6	33	837	18 x 7	3	3	3	CA__-5.0-10	5.0	10	34	54 x 35	8	9	9
CA__-0.7-33	0.7	33	751	23 x 11	5	4	4	CA__-1.1-6.8	1.1	6.8	342	14 x 8	3	2	2
CA__-1.1-33	1.1	33	434	29 x 13	5	5	6	CA__-1.3-6.8	1.3	6.8	235	18 x 7	3	3	3
CA__-2.7-33	2.7	33	124	53 x 34	8	9	9	CA__-2.0-6.8	2.0	6.8	148	23 x 11	5	4	4
								CA__-2.6-6.8	2.6	6.8	79	30 x 13	5	4A	6
								CA__-5.5-6.8	5.5	6.9	28	50 x 31	8	9	9



CA Series • Common Mode Toroidal Chokes

Part Number	I _{DC} Amp	L _O (mH) ±30% (2x)	DCR mOhm (2x)	Coil Size O.D. x Ht. (Nominal)	Mtg. Style Size			Part Number	I _{DC} Amp	L _O (mH) ±30% (2x)	DCR mOhm (2x)	Coil Size O.D. x Ht. (Nominal)	Mtg. Style Size		
					B	V / X	F						B	V / X	F
CA_-1.2-5.6	1.2	5.6	276	14 x 8	3	2	2	CA_-1.9-1.2	1.9	1.2	71	14 X 8	3	2	2
CA_-1.5-5.6	1.5	5.6	193	18 x 7	3	3	3	CA_-3.1-1.2	3.1	1.2	44	18 X 7	3	3	3
CA_-2.0-5.6	2.0	5.6	120	23 x 11	5	4	4	CA_-5.0-1.2	5.0	1.2	20	23 X 11	5	4	4
CA_-2.8-5.6	2.8	5.6	72	29 x 13	5	4A	6	CA_-7.5-1.2	7.5	1.2	10	30 X 14	5	5	6
CA_-5.9-5.6	5.9	5.6	26	49 x 30	8	9	9	CA_-9.6-1.2	9.6	1.2	10	41 X 22	8	9	9
CA_-1.2-4.7	1.2	4.7	253	14 x 8	3	2	2	CA_-2.0-1.0	2.0	1.0	65	14 X 8	3	2	2
CA_-1.6-4.7	1.6	4.7	110	18 x 7	3	3	3	CA_-3.5-1.0	3.5	1.0	32	18 X 6	3	3	3
CA_-1.9-4.7	1.9	4.7	99	23 x 11	5	4	4	CA_-5.0-1.0	5.0	1.0	18	23 X 11	5	4	4
CA_-3.0-4.7	3.0	4.7	58	29 x 13	5	5	6	CA_-7.8-1.0	7.8	1.0	9	30 X 14	5	5	6
CA_-6.2-4.7	6.2	4.7	23	47 x 28	8	9	9	CA_-10-1.0	10	1.0	9	40 X 21	8	9	9
CA_-1.3-3.9	1.3	3.9	230	14 x 8	3	2	2	CA_-2.8-0.68	2.8	0.68	37	14 X 8	3	2	2
CA_-1.8-3.9	1.8	3.9	100	18 x 7	3	3	3	CA_-4.2-0.68	4.2	0.68	21	18 X 7	3	3	3
CA_-2.1-3.9	2.1	3.9	81	23 x 11	5	4	4	CA_-6.0-0.68	6.0	0.68	13	23 X 11	5	4	4
CA_-3.5-3.9	3.5	3.9	42	30 x 14	5	5	6	CA_-8.5-0.68	8.5	0.68	7	30 X 14	5	4A	6
CA_-6.8-3.9	6.8	3.9	19	47 x 28	8	9	9	CA_-11-0.68	11	0.68	7	39 X 20	8	9	9
CA_-1.5-3.3	1.5	3.3	165	14 x 8	3	2	2	CA_-3.6-0.47	3.6	0.47	28	14 X 8	3	2	2
CA_-2.0-3.3	2.0	3.3	92	18 x 7	3	3	3	CA_-6.0-0.47	6.0	0.47	11	18 X 7	3	3	3
CA_-3.0-3.3	3.0	3.3	52	23 x 11	5	4	4	CA_-7.0-0.47	7.0	0.47	10	23 X 11	5	4	4
CA_-4.0-3.3	4.0	3.3	34	30 x 14	5	5	6	CA_-9.5-0.47	9.5	0.47	6	29 X 13	5	5	6
CA_-7.5-3.3	7.5	3.3	16	48 x 29	8	9	9	CA_-12-0.47	12	0.47	6	37 X 18	8	9	9
CA_-1.5-2.7	1.5	2.7	172	14 x 8	3	2	2	CA_-3.2-0.33	3.2	0.33	17	14 X 8	3	2	2
CA_-2.2-2.7	2.2	2.7	83	18 x 7	3	3	3	CA_-6.1-0.33	6.1	0.33	7	18 X 6	3	3	3
CA_-3.5-2.7	3.5	2.7	47	23 x 11	5	4	4	CA_-7.2-0.33	7.2	0.33	7	23 X 11	5	4	4
CA_-4.8-2.7	4.8	2.7	22	30 x 14	5	5	6	CA_-10-0.33	10	0.33	5	29 X 13	5	4A	6
CA_-7.8-2.7	7.8	2.7	14	46 x 27	8	9	9	CA_-13-0.33	13	0.33	5	36 X 17	8	9	9
CA_-1.6-2.2	1.6	2.2	135	14 x 7	3	2	2	CA_-3.7-0.22	3.7	0.22	12	14 X 8	3	2	2
CA_-2.3-2.2	2.3	2.2	75	18 x 7	3	3	3	CA_-7.6-0.22	7.6	0.22	5	18 X 7	3	3	3
CA_-4.0-2.2	4.0	2.2	30	23 x 11	5	4	4	CA_-8.9-0.22	8.9	0.22	4	23 X 11	5	4	4
CA_-5.8-2.2	5.8	2.2	16	31 x 15	5	5	6	CA_-11-0.22	11	0.22	4	29 X 12	5	5	6
CA_-8.2-2.2	8.2	2.2	13	45 x 26	8	9	9	CA_-13-0.22	13	0.22	4	35 X 16	8	9	9
CA_-1.6-1.8	1.6	1.8	111	14 x 8	3	2	2	CA_-4.6-0.15	4.6	0.15	8	14 X 8	3	2	2
CA_-2.5-1.8	2.5	1.8	60	18 x 7	3	3	3	CA_-9.3-0.15	9.3	0.15	3	18 X 7	3	3	3
CA_-4.5-1.8	4.5	1.8	27	23 x 11	5	4	4	CA_-10-0.15	10	0.15	3	23 X 11	5	4	4
CA_-6.0-1.8	6.0	1.8	14	30 x 14	5	5	6	CA_-12-0.15	12	0.15	3	29 X 12	5	5	6
CA_-8.7-1.8	8.7	1.8	12	43 x 24	8	9	9	CA_-16-0.15	16	0.15	3	35 X 16	8	9	9
CA_-1.8-1.5	1.8	1.5	89	14 X 8	3	2	2	CA_-5.7-0.10	5.7	0.10	5	14 X 8	3	2	2
CA_-2.8-1.5	2.8	1.5	49	18 X 7	3	3	3	CA_-10-0.10	10	0.10	2	18 X 7	3	3	3
CA_-5.0-1.5	5.0	1.5	22	23 X 11	5	4	4	CA_-12-0.10	12	0.10	2	22 X 11	5	4	4
CA_-7.0-1.5	7.0	1.5	11	31 X 15	5	5	6	CA_-13-0.10	13	0.10	3	28 X 12	5	5	6
CA_-9.1-1.5	9.1	1.5	11	42 X 23	8	9	9	CA_-17-0.10	17	0.10	3	32 X 13	8	9	9

Talema's Engineering staff can assist in the design of other inductance values and sizes.

Notes:

- Inductance measured at 25°C and 10 kHz.
L < 2mH test level < 2.5mA
L > 2mH test level < 250mV
- Inductance loss < 10% by DC preload with I_N (current compensated).
- DC Resistance measured at 25°C ± 5°C.
- Test voltage per VDE 0565/2
- 250 VAC Nominal Operating Voltage
- Maximum Ambient Temperature: 60°C

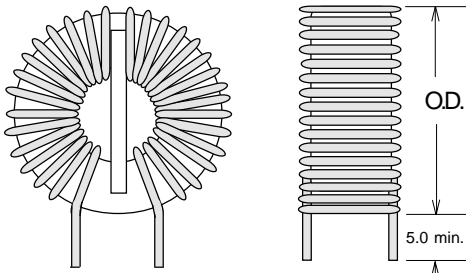
Ordering Key

CA B - 0.5 - 10mH

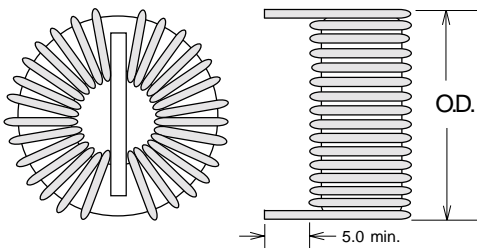
Inductance Value per Winding
Current Rating (Amps)
Mounting Style
O = Open Mount
B = Base Mount
V = Vertical Encapsulated - Pins 7 - 2 and 6 - 3
X = Vertical Encapsulated - Pins 8 - 1 and 5 - 4
F = Flat Encapsulated
Basic Series Designation

Mounting Style • CA Series • Common Mode Toroidal Chokes

Style 'OV' = Open - Vertical Mount

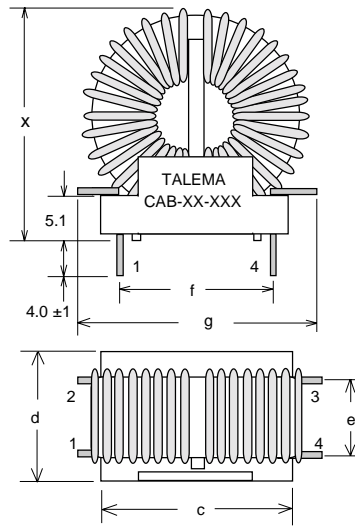


Style 'OH' = Open - Horizontal Mount

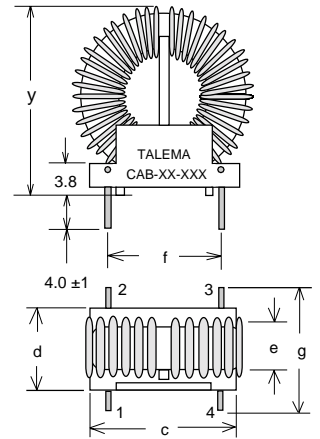


Type B - Base Mount

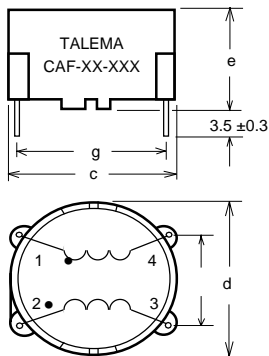
Style B-I



Style B-II

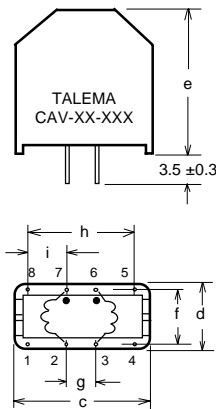


**Flat Mount
Type F**

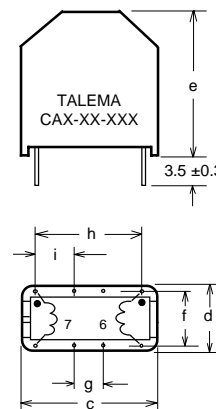


Vertical Mount

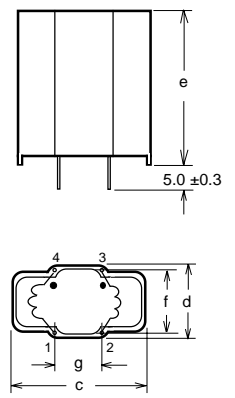
Type V



Type X



Size 4A



Mounting Style	Size Code	Dimensions Nominal (mm)									
		c	d	e	f	g	h	i	x	Pin Ø	
Base Mount	B- II	3	19.1	10.8	6.4	15.2	15.9	--	--	Coil O.D. + 3.8	1.02
	B- I	5	25.4	16.0	10.2	20.3	34.3	--	--	Coil O.D. + 3.5	1.27
		8	27.9	20.3	15.2	22.9	36.8	--	--		
Vertical Mount	"V" Pins	2	17.8	12.8	20.0	10.0	5.0	15.0	5.0	--	0.60 x 0.88
	7-2 & 6-3 "X" Pins	3	23.0	15.5	25.0	12.5	10.0	20.0	5.0	--	
		4	27.0	18.0	30.0	15.0	12.5	22.5	5.0	--	0.60 x 0.88
		4A	32.5	18.0	35.0	15.0	12.5	--	--	--	
	8-1 & 5-4 Pins	5	32.0	20.5	35.0	17.5	12.5	27.5	7.5	--	0.75 x 1.10
9		43.0	28.0	47.5	25.0	25.0	40.0	7.5	--		
Flat Mount		F	2	17.5	17.0	12.5	10.0	15.0	--	--	--
	3		22.5	22.0	15.0	12.5	20.0	--	--	--	
	4		27.5	27.0	17.5	15.0	25.0	--	--	--	0.60 x 0.88
	6		32.5	32.0	20.0	20.0	30.0	--	--	--	
9	42.5	42.0	28.5	25.0	35.0	--	--	--	0.60 x 0.88		