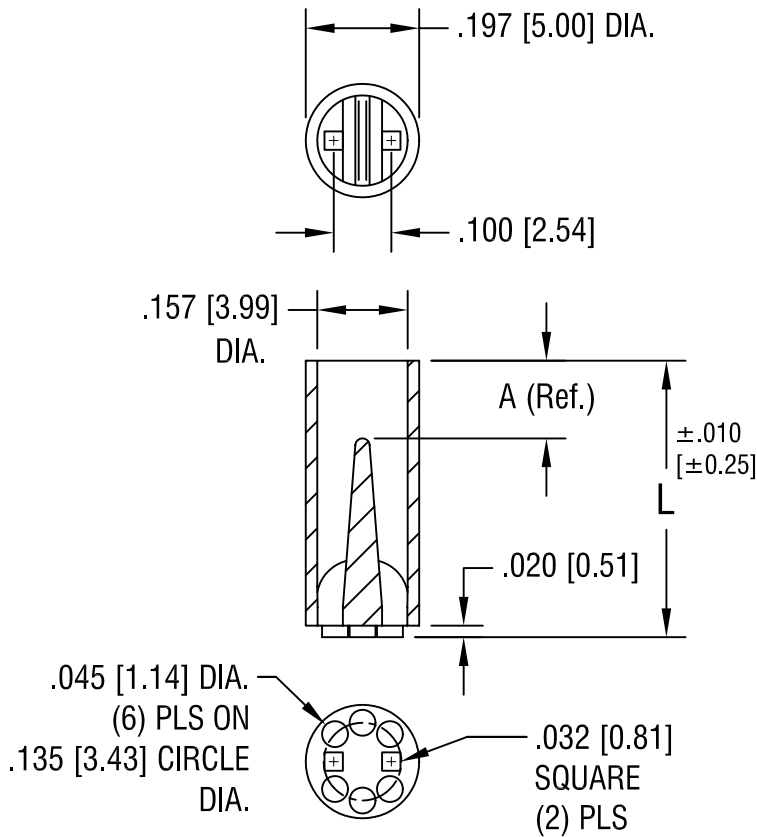


THIS DOCUMENT IS THE PROPERTY OF
KEYSTONE ELECTRONICS CORP. AND
SHALL NOT BE REPRODUCED, DISTRIBUTED
OR USED AS A BASIS FOR MANUFACTURE
WITHOUT PRIOR WRITTEN PERMISSION
FROM KEYSTONE ELECTRONICS CORP.



PART NO.	'L' DIM.	'A' DIM. REF.
8311	.120 [3.05]	.045 [1.14]
8312	.140 [3.56]	.065 [1.65]
8313	.160 [4.06]	.085 [2.16]
8314	.180 [4.57]	.105 [2.67]
8315	.200 [5.08]	.125 [3.18]
8316	.220 [5.59]	.145 [3.68]
8317	.240 [6.10]	.045 [1.14]
8318	.250 [6.35]	.060 [1.52]
8319	.260 [6.60]	.065 [1.65]
8320	.280 [7.11]	.090 [2.29]
8321	.300 [7.62]	.110 [2.79]
8322	.320 [8.13]	.120 [3.05]
8323	.340 [8.64]	.140 [3.56]
8324	.350 [8.89]	.150 [3.81]
8325	.360 [9.14]	.160 [4.06]
8326	.380 [9.65]	.060 [1.52]

KEYSTONE ELECTRONICS CORP.

ASTORIA, N.Y. 11105-2017

PART NAME

BI-LEAD LED SPACER, T-1 3/4

MATERIAL

NYLON 6/6

FINISH

-

DRN BY

BOONE

DATE

11.14.96

APPD

LN

SCALE

3X

TOLERANCES

INCH [MM]

DECIMAL ± .005 [± 0.15]

ANGULAR ± 1°

UNLESS OTHERWISE SPECIFIED

CODE

C/M

DWG NO.

8311-8326

5.4.99 CHANGE AS PER ECN 99-044

B

1.15.99 CHANGE AS PER ECN 99-004

A

DATE

DESCRIPTION

REV.