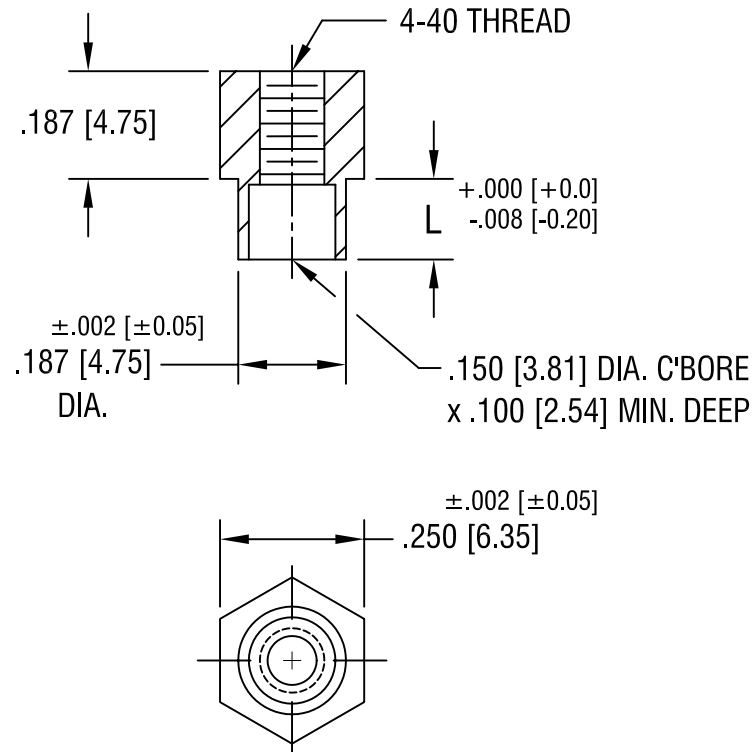


THIS DOCUMENT IS THE PROPERTY OF KEYSTONE ELECTRONICS CORP. AND SHALL NOT BE REPRODUCED, DISTRIBUTED OR USED AS A BASIS FOR MANUFACTURE WITHOUT PRIOR WRITTEN PERMISSION FROM KEYSTONE ELECTRONICS CORP.



PART NO.	'L' DIM.
1746-2	.109 [2.77]
1746-3	.140 [3.56]

5.13.02	CHANGE AS PER ECN 02-040	B
6.7.96	CHANGE AS PER ECR 96-030	A
DATE	DESCRIPTION	REV.

KEYSTONE ELECTRONICS CORP.			
ASTORIA, N.Y. 11105-2017			
PART NAME SWAGE THREADED STANDOFF			
MATERIAL BRASS			
FINISH DUCTILE NICKEL PLATE		DRN BY BOONE	DATE 7.1.82
		APPD	SCALE 3X
TOLERANCES DECIMAL ANGULAR UNLESS OTHERWISE SPECIFIED	INCH [MM] ±.005 [±0.15] ± 1°	CODE C/M	DWG NO. 1746-