

# PRODUCT DATASHEET

is brought to you by



[SOS electronic](https://www.soselectronic.com/)

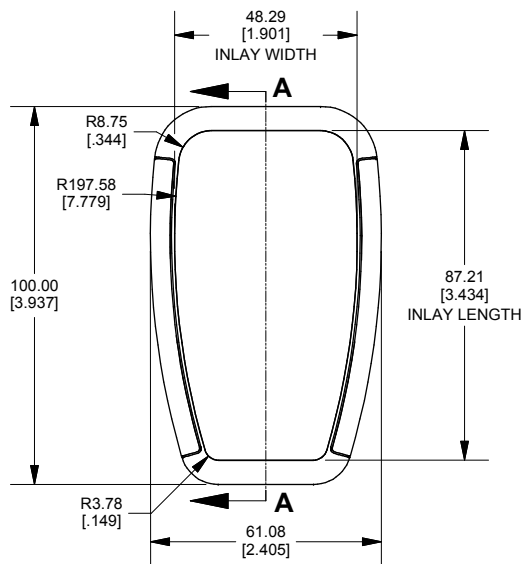
distribution of electronic components

Click to view availability, pricing and lifecycle information.

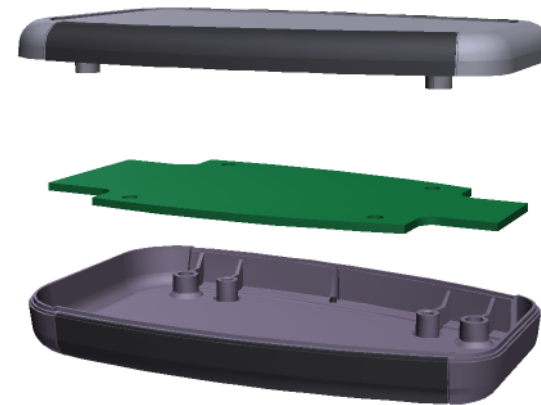
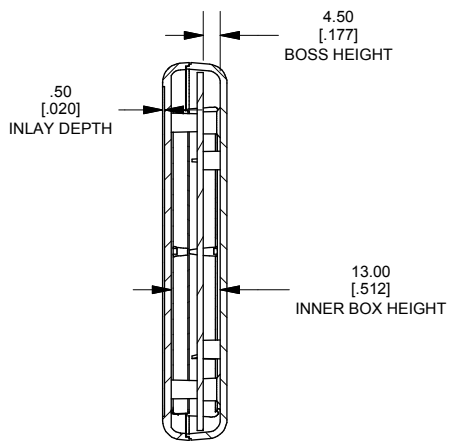
Visit <https://www.soselectronic.com/>

**Datasheet begins on next page.**

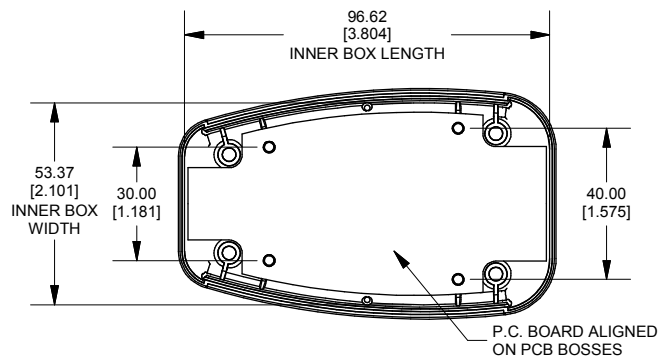
### Top View of Assembly



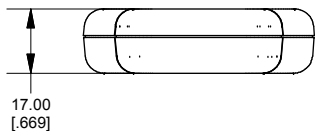
### SECTION A-A (Side View Inside Assembly)



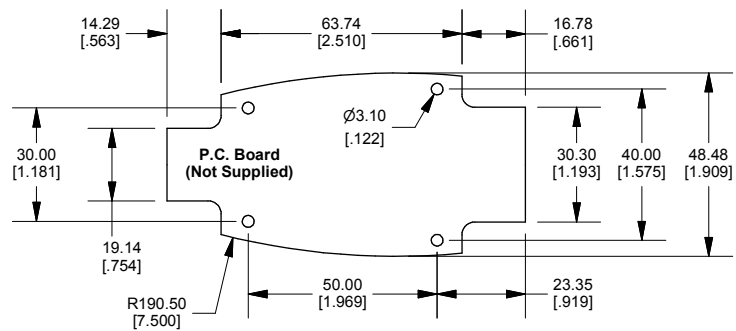
### Inside of Bottom Cover



### End View of Assembly



### Recommended P.C. Board Size



Enclosures can be Factory Modified ( Milling, Drilling, Printing etc. )  
 Solid models of this enclosure available in STEP or IGES.  
 Contact Factory [mjm@hammondmfg.com](mailto:mjm@hammondmfg.com)

NOTE	
Enclosure molded from GP ABS plastic.	
Purchased assembly includes top and bottom cover, and 4 cover screws.	
PART NUMBERS	
1553B Enclosure	
Black Enclosure/Grey Over-mold	1553BBK
Grey Enclosure/Grey Over-mold	1553BGY
ACCESSORIES	
Replacement Cover Screws (Pkg 100)	1591TS100 (Silver) 1591TS100BK (Black)
P.C. Board Screws	1593ATS50 (Pkg 50) 1593ATS100 (Pkg 100)
Belt or Pocket Clip	1599CLIP (Black) 1599CLIPGY (Grey)

**HAMMOND  
MANUFACTURING™**

**1553A**

[www.hammondmfg.com](http://www.hammondmfg.com)