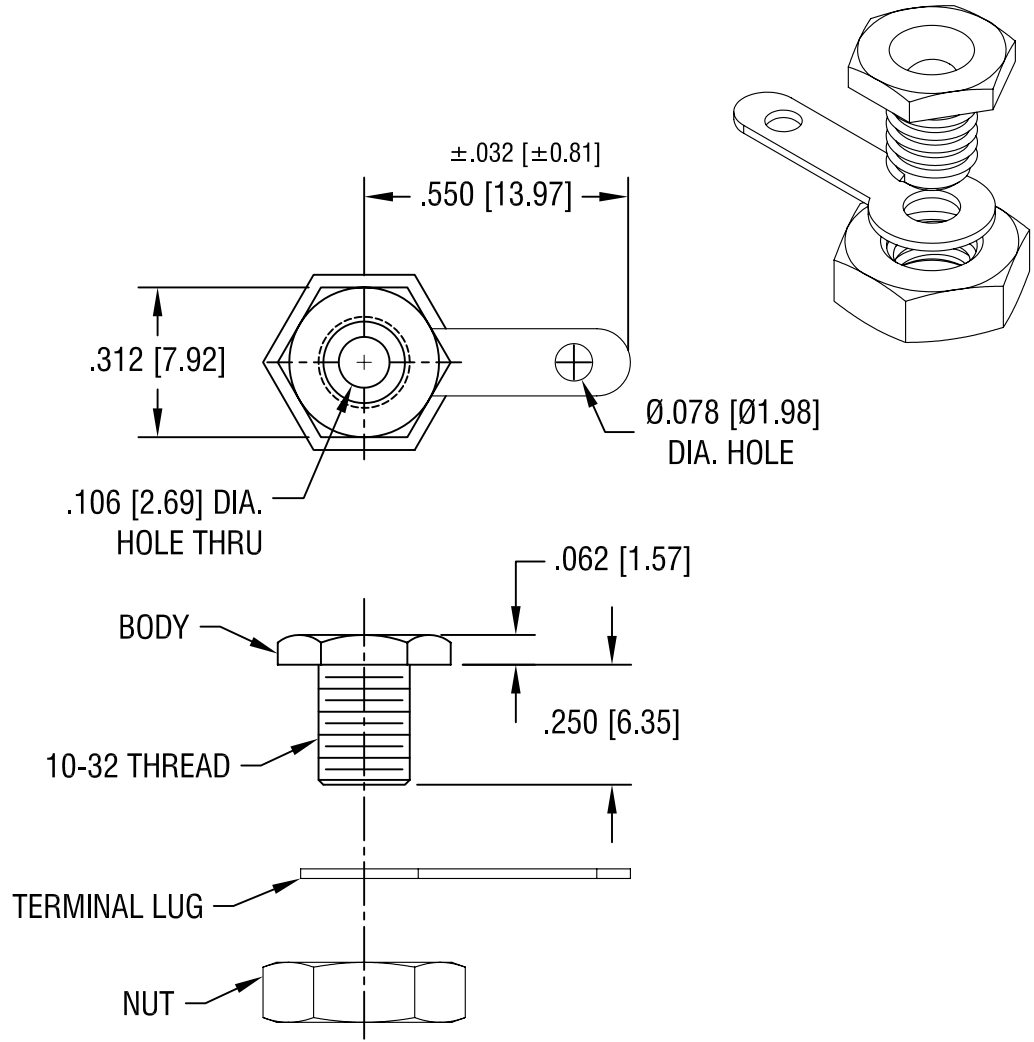


THIS DOCUMENT IS THE PROPERTY OF KEYSTONE ELECTRONICS CORP. AND SHALL NOT BE REPRODUCED, DISTRIBUTED OR USED AS A BASIS FOR MANUFACTURE WITHOUT PRIOR WRITTEN PERMISSION FROM KEYSTONE ELECTRONICS CORP.



NOTES:

- 1. BODY: MAT'L - BRASS, NICKEL PLATE
- TERMINAL LUG: MAT'L - BRASS, TIN PLATE
- NUT: MAT'L - STEEL, ZINC PLATE

| | | | |
|-------------------------------------|-----------------|--------|-------------|
| KEYSTONE ELECTRONICS CORP. | | | |
| ASTORIA, N.Y. 11105-2017 | | | |
| PART NAME | | | |
| MINIATURE NON-INSULATED BANANA JACK | | | |
| MATERIAL | | | |
| AS NOTED | | | |
| FINISH | | DRN BY | DATE |
| AS NOTED | | BOONE | 12.27.82 |
| | | APP'D | SCALE |
| | | LN | 2.5X |
| TOLERANCES | INCH [MM] | CODE | DWG NO. |
| DECIMAL | ± .005 [± 0.15] | C | 6090 |
| ANGULAR | ± 1° | | |
| UNLESS OTHERWISE SPECIFIED | | | |

| | | |
|---------|--------------------------|------|
| 9.22.08 | CHANGE AS PER ECN 08-161 | B |
| 2.4.00 | CHANGE AS PER ECN 00-009 | A |
| DATE | DESCRIPTION | REV. |