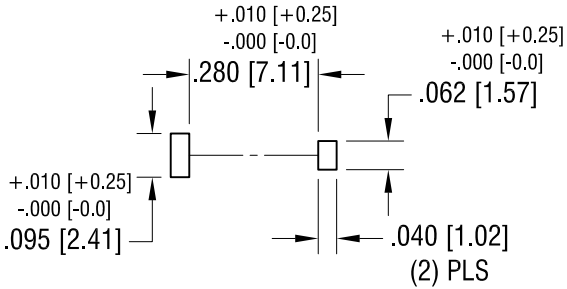
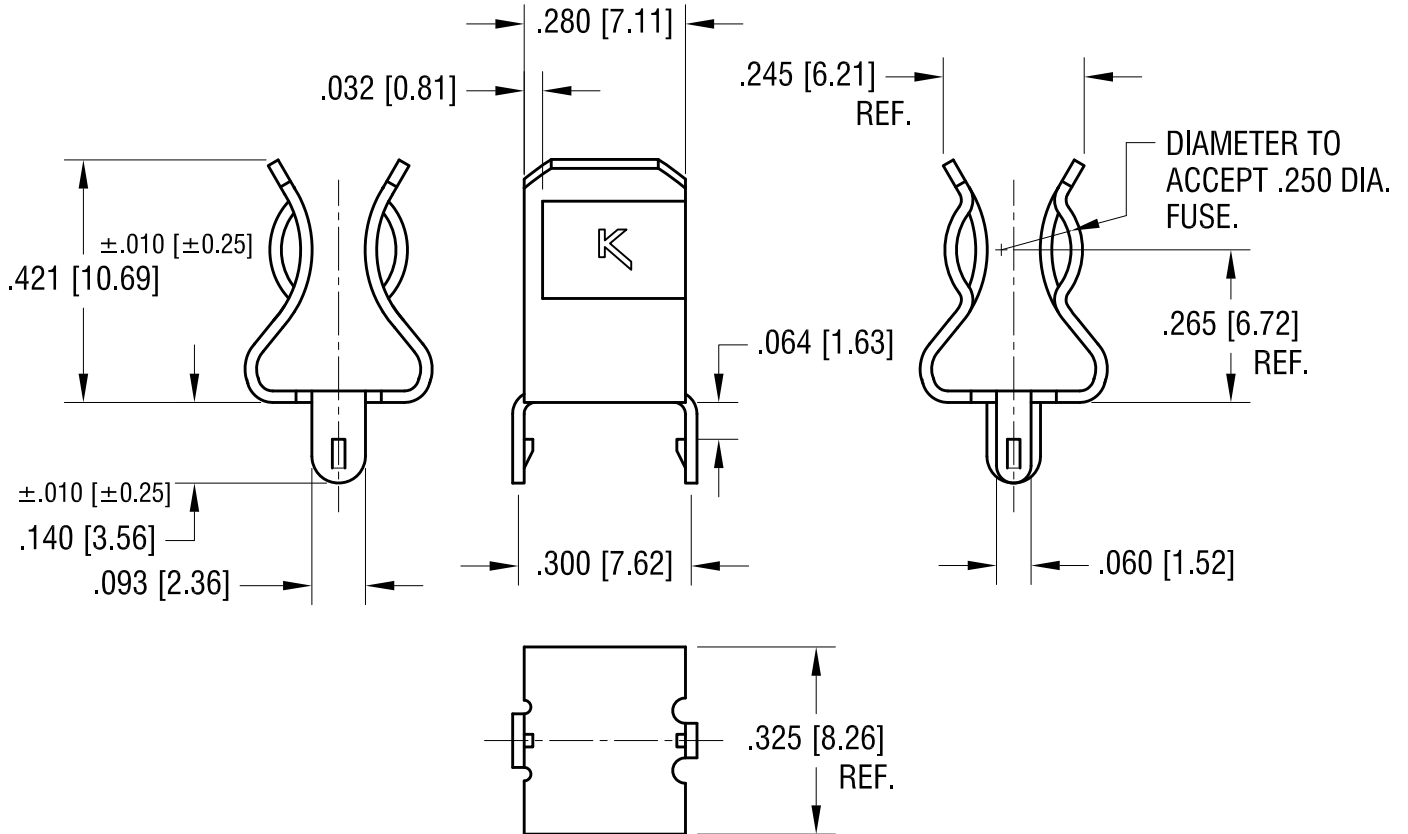
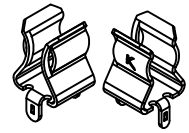


THIS DOCUMENT IS THE PROPERTY OF
KEYSTONE ELECTRONICS CORP. AND
SHALL NOT BE REPRODUCED, DISTRIBUTED
OR USED AS A BASIS FOR MANUFACTURE
WITHOUT PRIOR WRITTEN PERMISSION
FROM KEYSTONE ELECTRONICS CORP.

RECOMMENDED MOUNTING LAYOUT



ACTUAL SIZE



| | | |
|---------|--------------------------|------|
| 9.06.12 | CHANGE AS PER ECN 12-130 | B |
| 6.04.09 | CHANGE AS PER ECN 09-047 | A |
| DATE | DESCRIPTION | REV. |

| | | | |
|---|-----------------|--------|--------------|
| KEYSTONE ELECTRONICS CORP. | | | |
| www.keyelco.com • ASTORIA, N.Y. 11105-2017 • Tel (718) 956-8900 | | | |
| PART NAME | | | |
| 3AG SNAP-IN PC FUSE HOLDER | | | |
| MATERIAL | | | |
| .020 [0.50] TH'K BRASS | | | |
| FINISH | | DRN BY | DATE |
| MATTE TIN PLATE | | BOONE | 4.09.02 |
| | | APP'D | SCALE |
| | | LN | 3X |
| TOLERANCES | INCH [MM] | CODE | DWG NO. |
| DECIMAL | ± .005 [± 0.15] | C | 3515P |
| ANGULAR | ± 1° | | |
| UNLESS OTHERWISE SPECIFIED | | | |