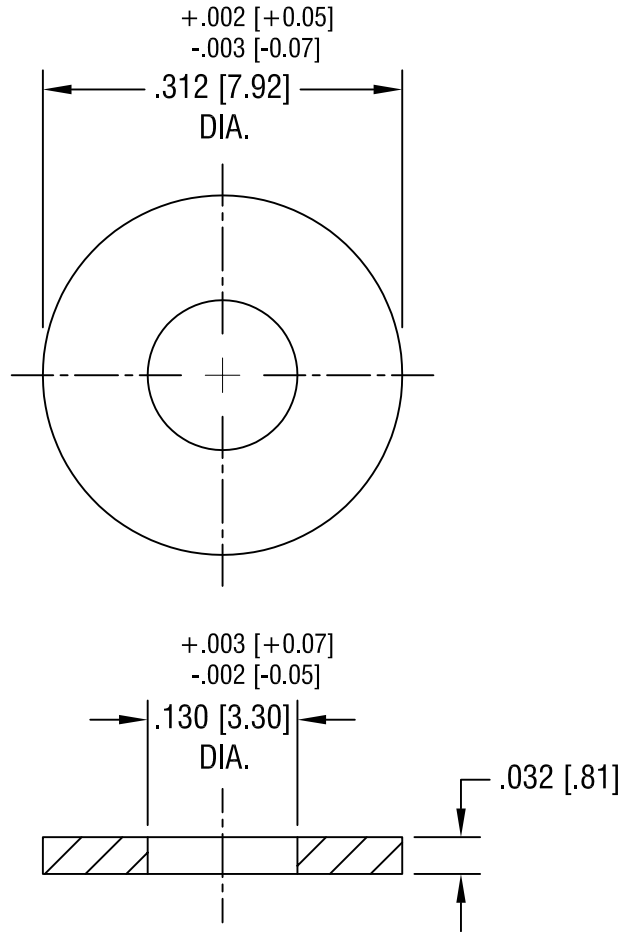


THIS DOCUMENT IS THE PROPERTY OF
KEYSTONE ELECTRONICS CORP. AND
SHALL NOT BE REPRODUCED, DISTRIBUTED
OR USED AS A BASIS FOR MANUFACTURE
WITHOUT PRIOR WRITTEN PERMISSION
FROM KEYSTONE ELECTRONICS CORP.



KEYSTONE ELECTRONICS CORP.

ASTORIA, N.Y. 11105-2017

PART NAME

FLAT WASHER

MATERIAL

.032 [0.81] TH'K FIBRE-GREY

FINISH

PARAFFINED

DRN BY

BOONE

DATE

2.11.82

APP'D

LN

SCALE

6X

8.1.94 CHANGE AS PER ECR 94-030

A

TOLERANCES

INCH [MM]

CODE

DWG NO.

DECIMAL $\pm .005$ [± 0.15]

C

ANGULAR $\pm 1^\circ$
UNLESS OTHERWISE SPECIFIED

348

DATE

DESCRIPTION

REV.