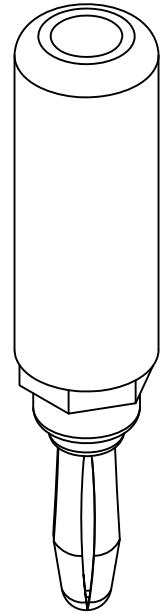
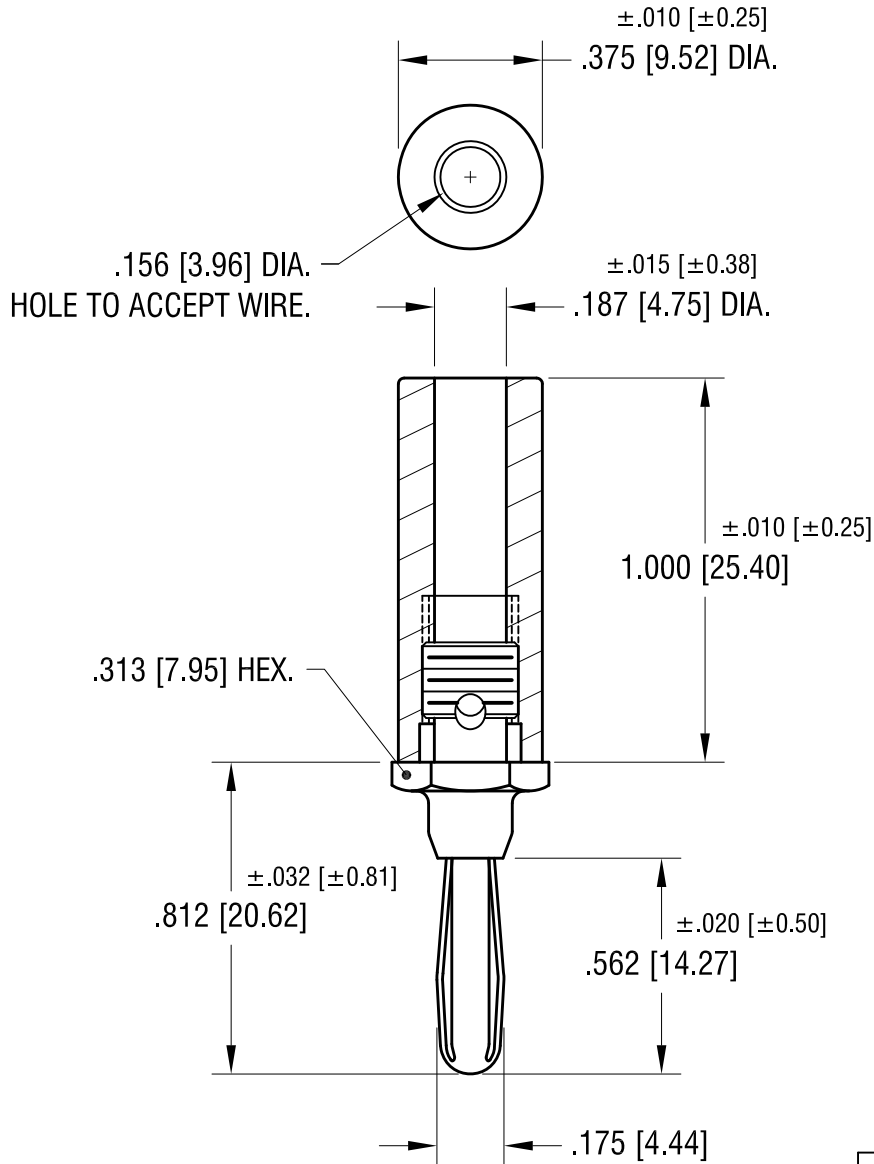


THIS DOCUMENT IS THE PROPERTY OF
KEYSTONE ELECTRONICS CORP. AND
SHALL NOT BE REPRODUCED, DISTRIBUTED
OR USED AS A BASIS FOR MANUFACTURE
WITHOUT PRIOR WRITTEN PERMISSION
FROM KEYSTONE ELECTRONICS CORP.



NOTES:

- 1. SPRING: MAT'L - PHOSPHOR BRONZE
- BODY: MAT'L - BRASS
- FINISH - NICKEL PLATE
- HANDLE: MAT'L - NYLON

PART NO.	COLOR
6082	RED
6083	BLACK

DATE	DESCRIPTION	REV.
12.03.10	CHANGE AS PER ECN 10-083	B
9.17.08	CHAGE AS PER ECN 08-159	A

KEYSTONE ELECTRONICS CORP.
www.keyelco.com • ASTORIA, N.Y. 11105-2017 • Tel (718) 956-8900

PART NAME
BANANA PLUG, SOLDERLESS CONNECTION

MATERIAL
AS NOTED

FINISH AS NOTED	DRN BY BOONE	DATE 1.16.06
	APP'D LN	SCALE 2X

TOLERANCES INCH [MM]
DECIMAL $\pm .005$ [± 0.15]
ANGULAR $\pm 1^\circ$
UNLESS OTHERWISE SPECIFIED

CODE
C

DWG NO.
6082-6083