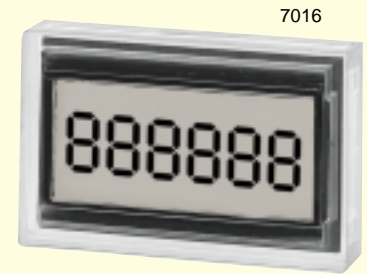


### Miniature, low cost 4 digit and 6 digit LCD self-powered totalising counters



Shown with panel mount bezel

UL E 135458



Shown as PCB mount

The 7010 and 7016 are two counters based on the same miniature self powered totaliser. Both counters come ready for fitting and feature flying leads for connection to remote contact closure input devices.

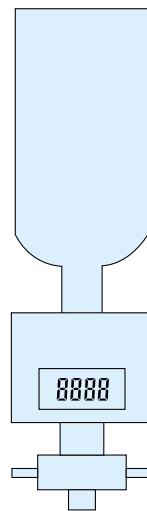
- Self powered for 4 - 5 years using a single standard 1.5V button cell.
- 4/6 digit 6mm character high contrast LCD display.
- Uses low power CMOS circuitry to achieve an expected battery life of 4 to 5 years at 20°C.
- Simple to install.
- Integral de-bounce circuitry.
- UL and cUL approved.

The counters increment the count when the contact is opened. They may be panel mounted with the optional bezels supplied.

### Typical Application

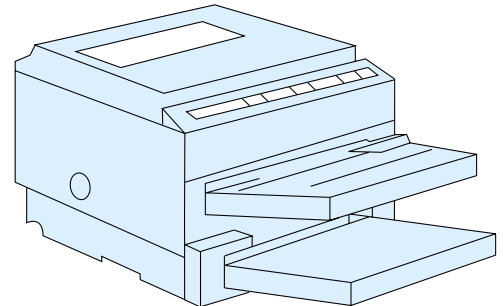
- \*Applications where no power is available
- \*Event counting
- \*Portable equipment

- \*Drinks optics
- \*Luggage lockers



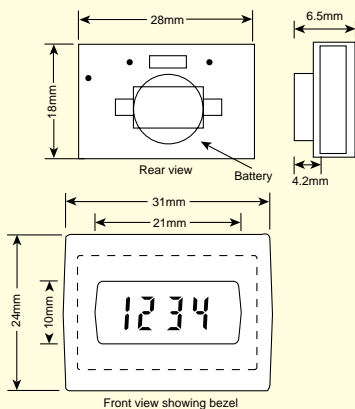
Drinks Optics

Laser Printer



### Dimensions

27.6mm(W) x 17.7mm(H) x 6.5mm(D)  
Panel cutout 29.4mm x 22mm



### Specification

**Supply Voltage**  
1.5V button cell type 386 or SR43

**Expected Battery Life**  
3 - 4 years at 20°C

**7010 Display** 4 digit LCD, 6mm characters  
**Count Range** 9999 display rollover to 0000

**7016 Display** 6 digit LCD, 6mm characters  
**Count Range** 999999 display rollover to 0

**Count Input**  
12Hz maximum, contact closure. Operates on contact opening

**Reset**  
Reset to zero on insertion of battery

**Operating Temp.**  
0°C to 50°C

**Storage Temp.**  
-10°C to +60°C

**Material**  
Clear polycarbonate, black ABS bezel

**Environmental Protection**  
IP40/DIN40050

**Weight**  
7.5 grams

**Lead Length**  
24cm (7010 only)

### Ordering Information

Order by type number:

**7010: 4 digit LCD Self powered counter**  
**7016: 6 digit LCD Self powered counter**