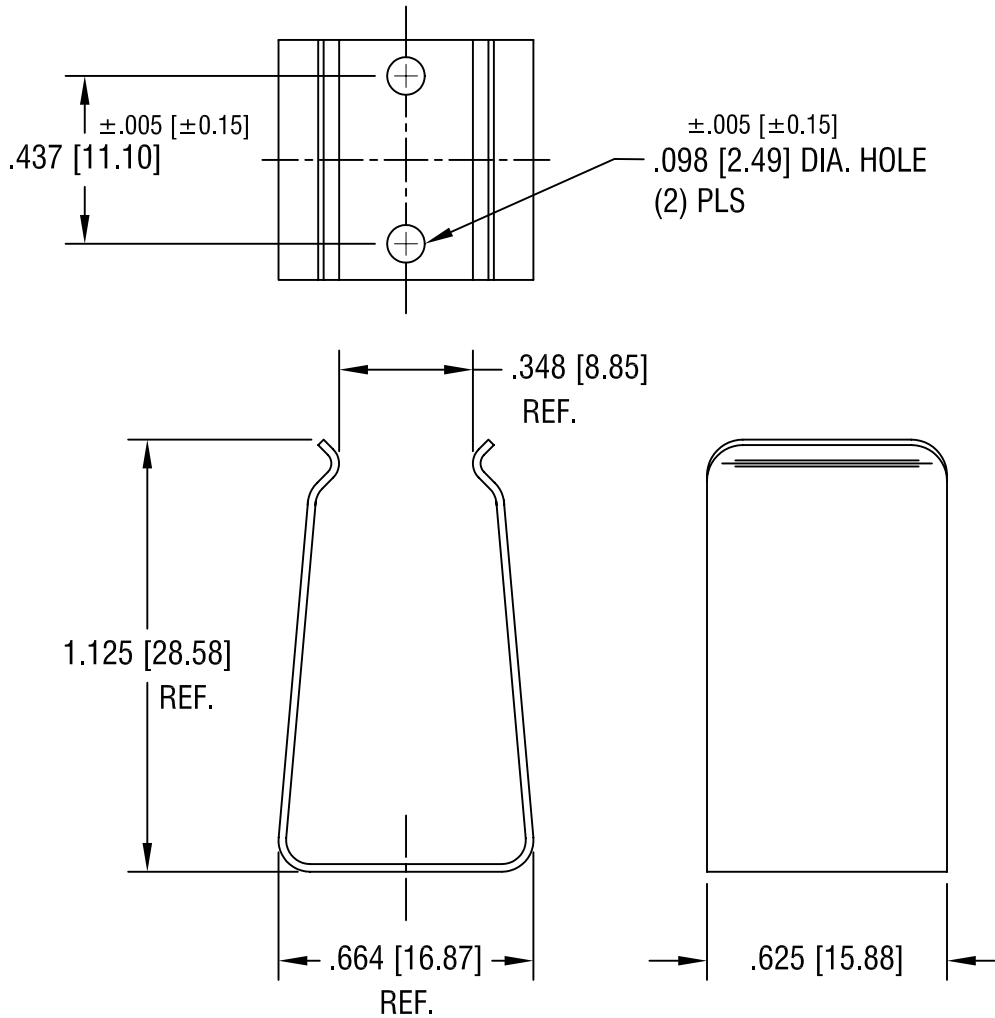


THIS DOCUMENT IS THE PROPERTY OF
KEYSTONE ELECTRONICS CORP. AND
SHALL NOT BE REPRODUCED, DISTRIBUTED
OR USED AS A BASIS FOR MANUFACTURE
WITHOUT PRIOR WRITTEN PERMISSION
FROM KEYSTONE ELECTRONICS CORP.



10.3.97	CHANGE PER ECR 97-049	C
8.17.94	CHANGE PER ECR 94-040	B
11.15.82	REVISED	A
DATE	DESCRIPTION	REV.

KEYSTONE ELECTRONICS CORP.			
ASTORIA, N.Y. 11105-2017			
PART NAME			
'9' VOLT COMPONENT CLIP			
MATERIAL			
.020 [0.50] TH'K ALUMINUM 2024-T3			
FINISH		DRN BY	DATE
-		BOONE	11.3.81
		APPD	SCALE
			2X
TOLERANCES	INCH [MM]	CODE	DWG NO.
DECIMAL	$\pm .010$ [± 0.25]	C	95
ANGULAR	$\pm 1^\circ$		
UNLESS OTHERWISE SPECIFIED			