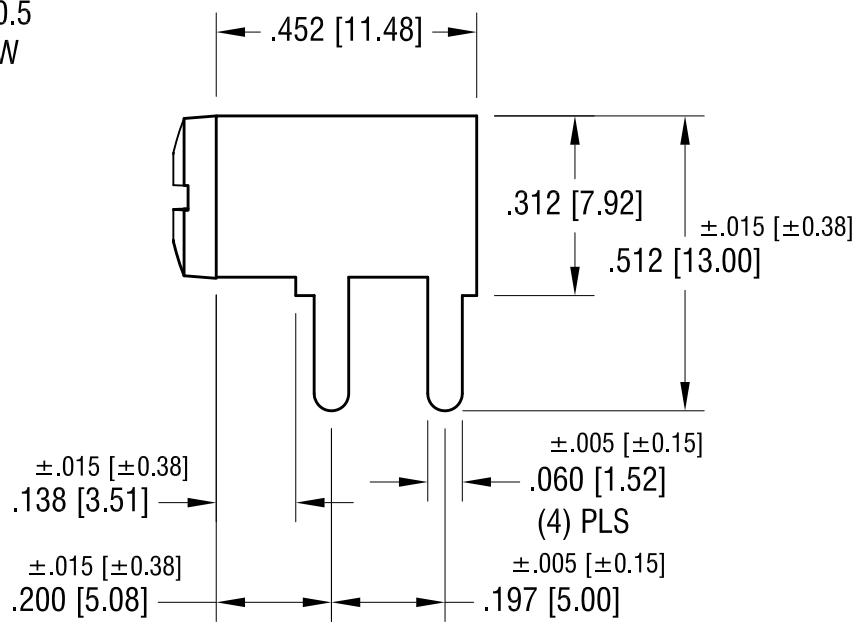
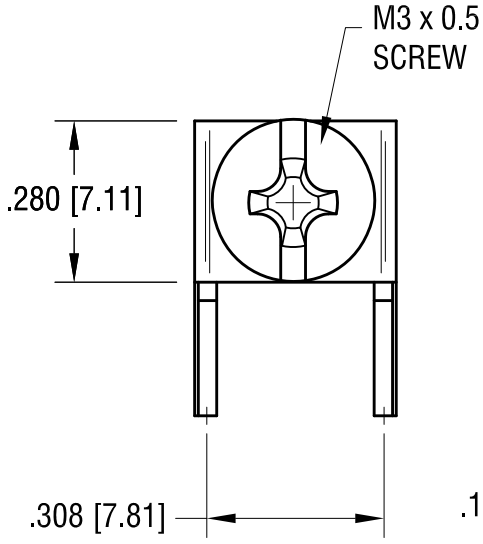
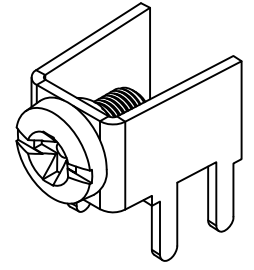
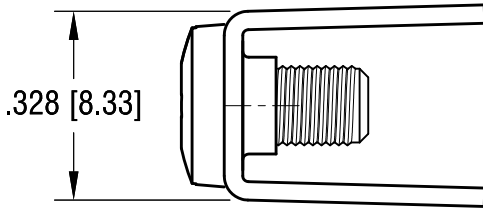
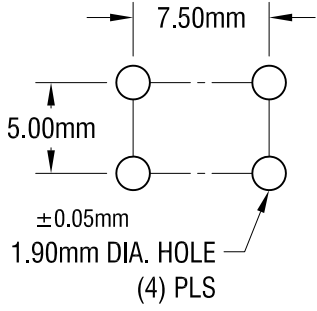


THIS DOCUMENT IS THE PROPERTY OF KEYSTONE ELECTRONICS CORP. AND SHALL NOT BE REPRODUCED, DISTRIBUTED OR USED AS A BASIS FOR MANUFACTURE WITHOUT PRIOR WRITTEN PERMISSION FROM KEYSTONE ELECTRONICS CORP.

**MOUNTING DETAIL**



**NOTE:**

- 1. TERMINAL:  
MAT'L - .032 [0.81] TH'K BRASS, MATTE TIN PLATE
- SCREW : ONE (1) M3 x 0.5 SCREW (CAPTIVAT)  
MAT'L - BRASS, NICKEL PLATE  
HEAD OF SCREW IS POWDER COATED  
WITH COLOR AS INDICATED IN CHART.

**PC SCREW TERMINAL WITH COLORED SCREW HEAD**

PART NO.	HEAD COLOR	PART NO.	HEAD COLOR
7762-2	RED	7762-5	BLUE
7762-3	BLACK	7762-6	GREEN
7762-4	WHITE	7762-7	YELLOW

**KEYSTONE ELECTRONICS CORP.**

www.keyelco.com • ASTORIA, N.Y. 11105-2017 • Tel (718) 956-8900

PART NAME <b>PC METRIC SCREW TERMINAL</b>			
MATERIAL <b>AS NOTED</b>			
FINISH <b>AS NOTED</b>		DRN BY NT	DATE 1.26.10
		APP'D LN	SCALE 3X
TOLERANCES DECIMAL ANGULAR	INCH ± 1°	[MM] [± 0.25]	CODE DWG NO.
UNLESS OTHERWISE SPECIFIED			<b>7762-2 - 7762-7</b>

DATE	DESCRIPTION	REV.
------	-------------	------