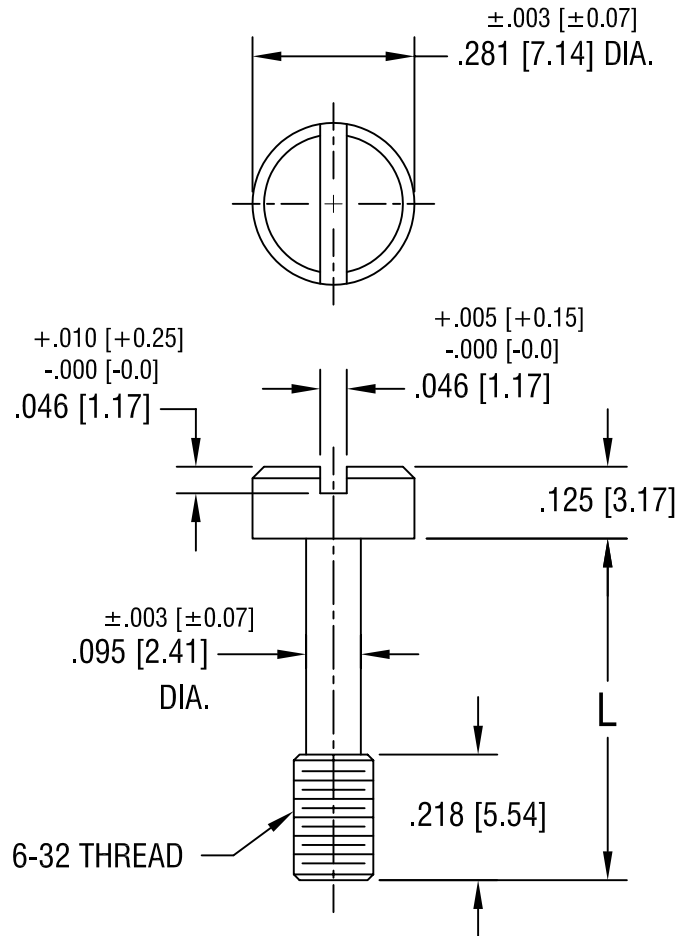


THIS DOCUMENT IS THE PROPERTY OF  
KEYSTONE ELECTRONICS CORP. AND  
SHALL NOT BE REPRODUCED, DISTRIBUTED  
OR USED AS A BASIS FOR MANUFACTURE  
WITHOUT PRIOR WRITTEN PERMISSION  
FROM KEYSTONE ELECTRONICS CORP.



PART NO.	'L' DIM.
2415	.531 [13.49]
2416	.593 [15.06]
2417	.656 [16.66]

<b>KEYSTONE ELECTRONICS CORP.</b>			
ASTORIA, N.Y. 11105-2017			
PART NAME			
CAPTIVE SCREW			
MATERIAL			
STAINLESS STEEL			
FINISH		DRN BY	DATE
-		BOONE	12.5.95
		APPD	SCALE
			3X
TOLERANCES		INCH	[MM]
DECIMAL		$\pm .005$	[ $\pm 0.15$ ]
ANGULAR		$\pm 1^\circ$	
UNLESS OTHERWISE SPECIFIED		CODE	DWG NO.
		C/M	<b>2415-2417</b>

DATE	DESCRIPTION	REV.