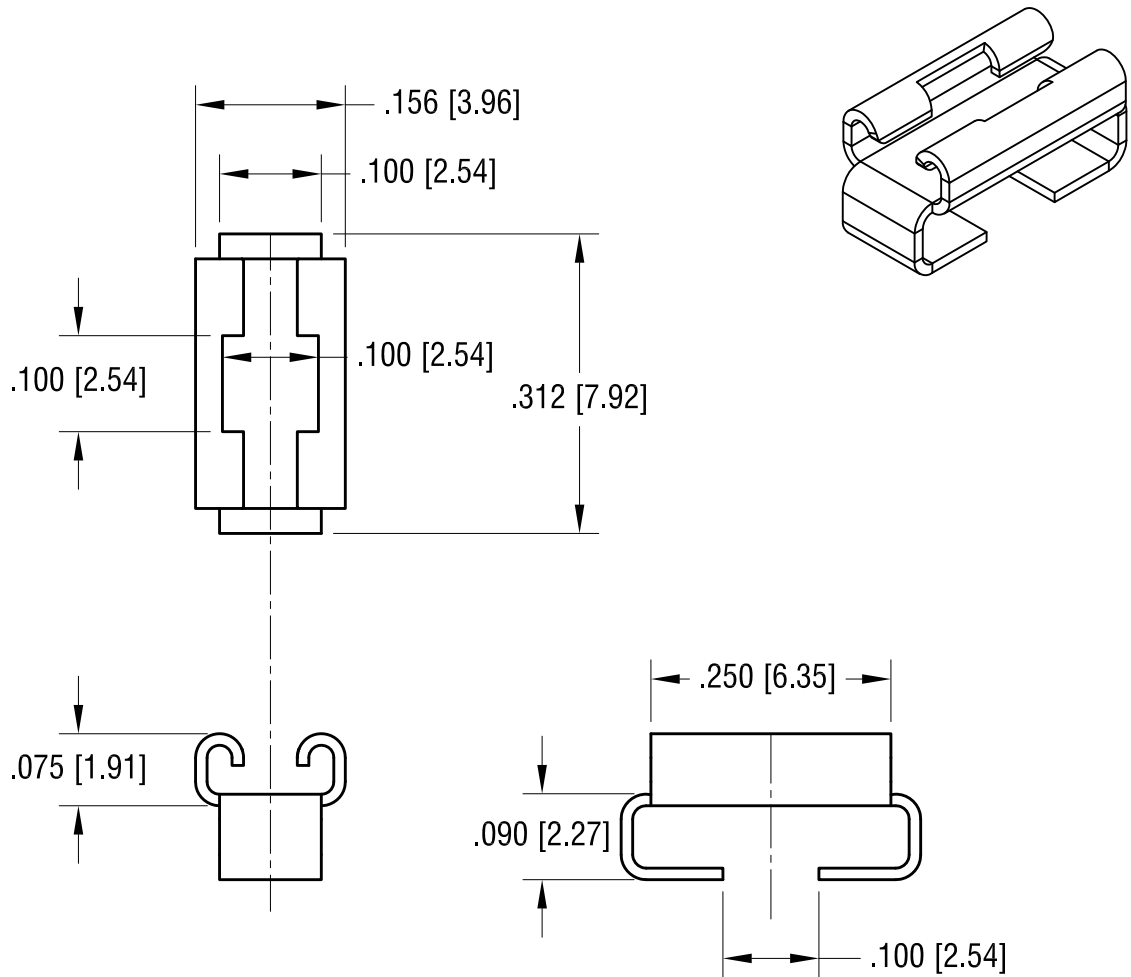


THIS DOCUMENT IS THE PROPERTY OF  
KEYSTONE ELECTRONICS CORP. AND  
SHALL NOT BE REPRODUCED, DISTRIBUTED  
OR USED AS A BASIS FOR MANUFACTURE  
WITHOUT PRIOR WRITTEN PERMISSION  
FROM KEYSTONE ELECTRONICS CORP.



12.28.09	CHANGE AS PER ECN 09-195	B
10.19.09	CHANGE AS PER ECN 09-151	A
DATE	DESCRIPTION	REV.

<b>KEYSTONE ELECTRONICS CORP.</b>			
www.keyelco.com • ASTORIA, N.Y. 11105-2017 • Tel (718) 956-8900			
PART NAME		FUSE HOLDER	
MATERIAL		.012 [0.30] BRASS	
FINISH		DRN BY	DATE
TIN-NICKEL PLATE		NT	9.22.08
		APP'D	SCALE
		LN	5X
TOLERANCES	INCH [MM]	CODE	DWG NO.
DECIMAL	± .005 [± 0.13]	C	<b>3569</b>
ANGULAR	± 1°		
UNLESS OTHERWISE SPECIFIED			