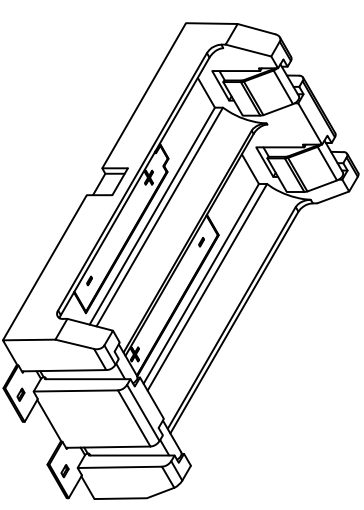
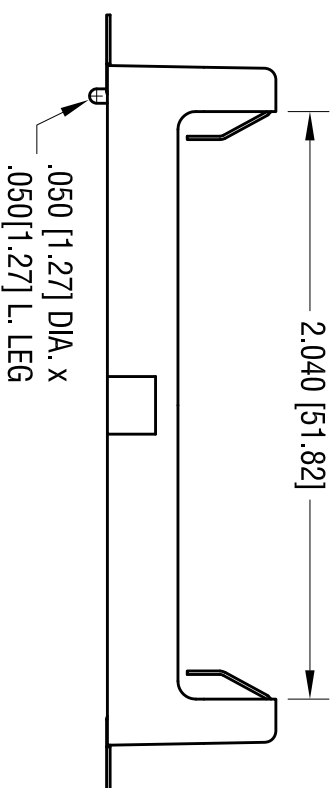
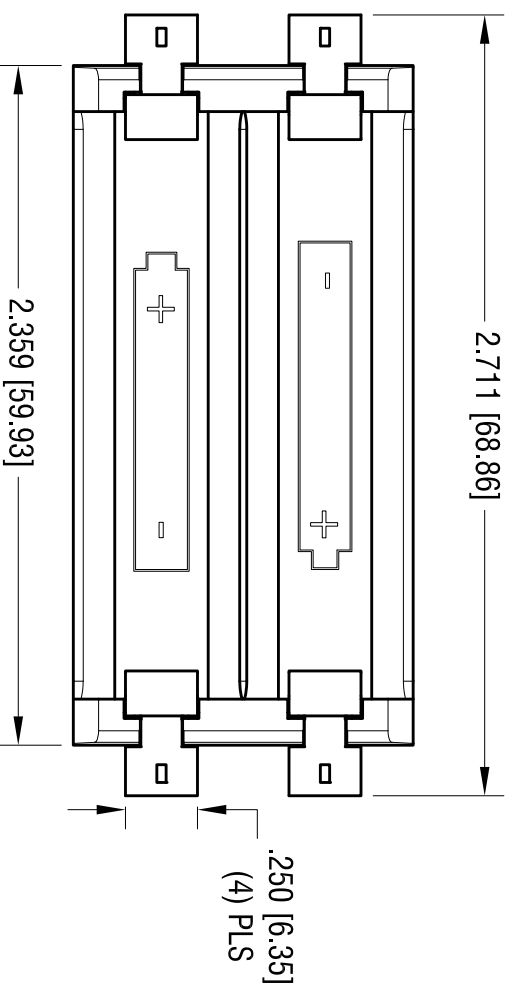
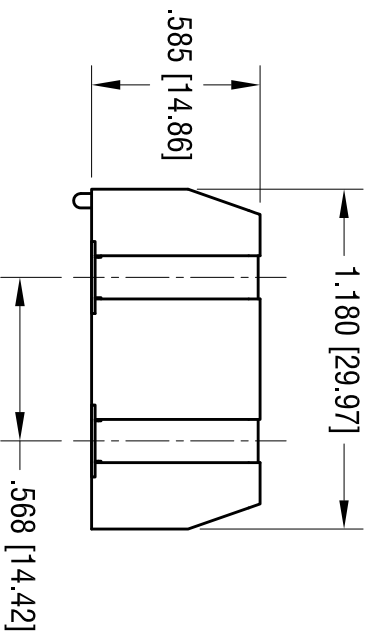
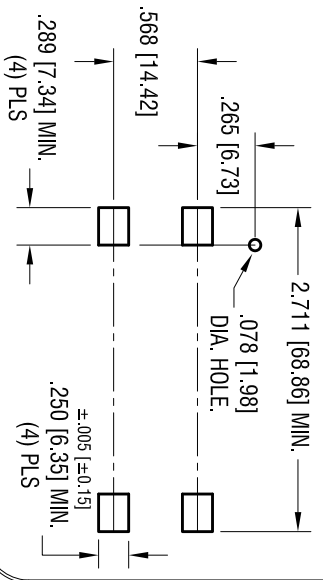


MOUNTING PAD LAYOUT



DATE	DESCRIPTION	REV.

**KEYSTONE ELECTRONICS CORP.**

www.keystone.com • ASTORIA, N.Y. 11105-2017 • Tel (718) 956-8900

PART NAME

SM BATTERY HOLDER, (2) AA

MATERIAL

AS NOTED

FINISH

AS NOTED

TOLERANCES	INCH	[MM]	CODE	DWG NO.
DECIMAL	± .010	[± 0.25]	C	1012
ANGULAR	± 1°			
UNLESS OTHERWISE SPECIFIED				

DRN BY NT DATE 5.18.10

App'D LN SCALE 1.5X

- NOTE:
1. BASE:  
MATEL: HEAT RESISTANCE NYLON  
(UL 94V-0)
  2. CONTACT:  
MATEL: .012 [0.30] THK PHOSPHOR BRONZE  
FINISH: GOLD FLASH, OVER NICKEL PLATE.

THIS DOCUMENT IS THE PROPERTY OF KEYSTONE ELECTRONICS CORP. AND SHALL NOT BE REPRODUCED, DISTRIBUTED OR USED AS A BASIS FOR MANUFACTURE WITHOUT PRIOR WRITTEN PERMISSION FROM KEYSTONE ELECTRONICS CORP.