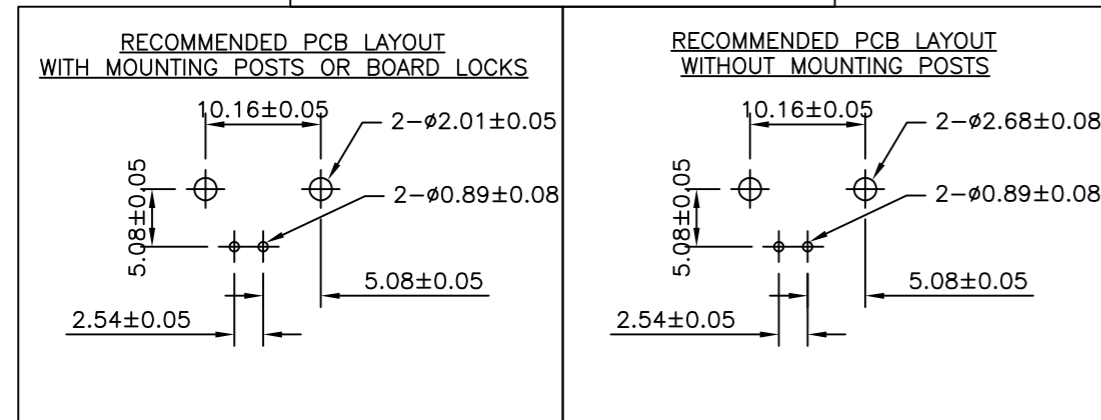
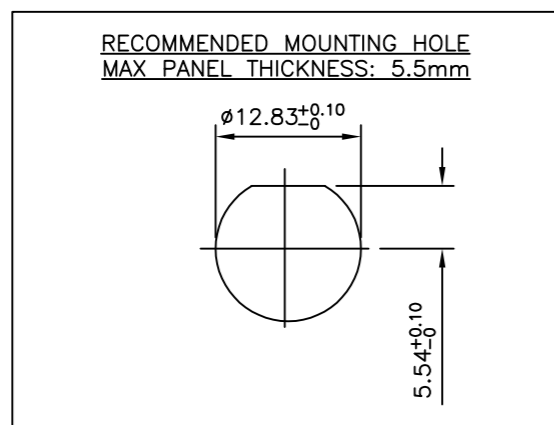
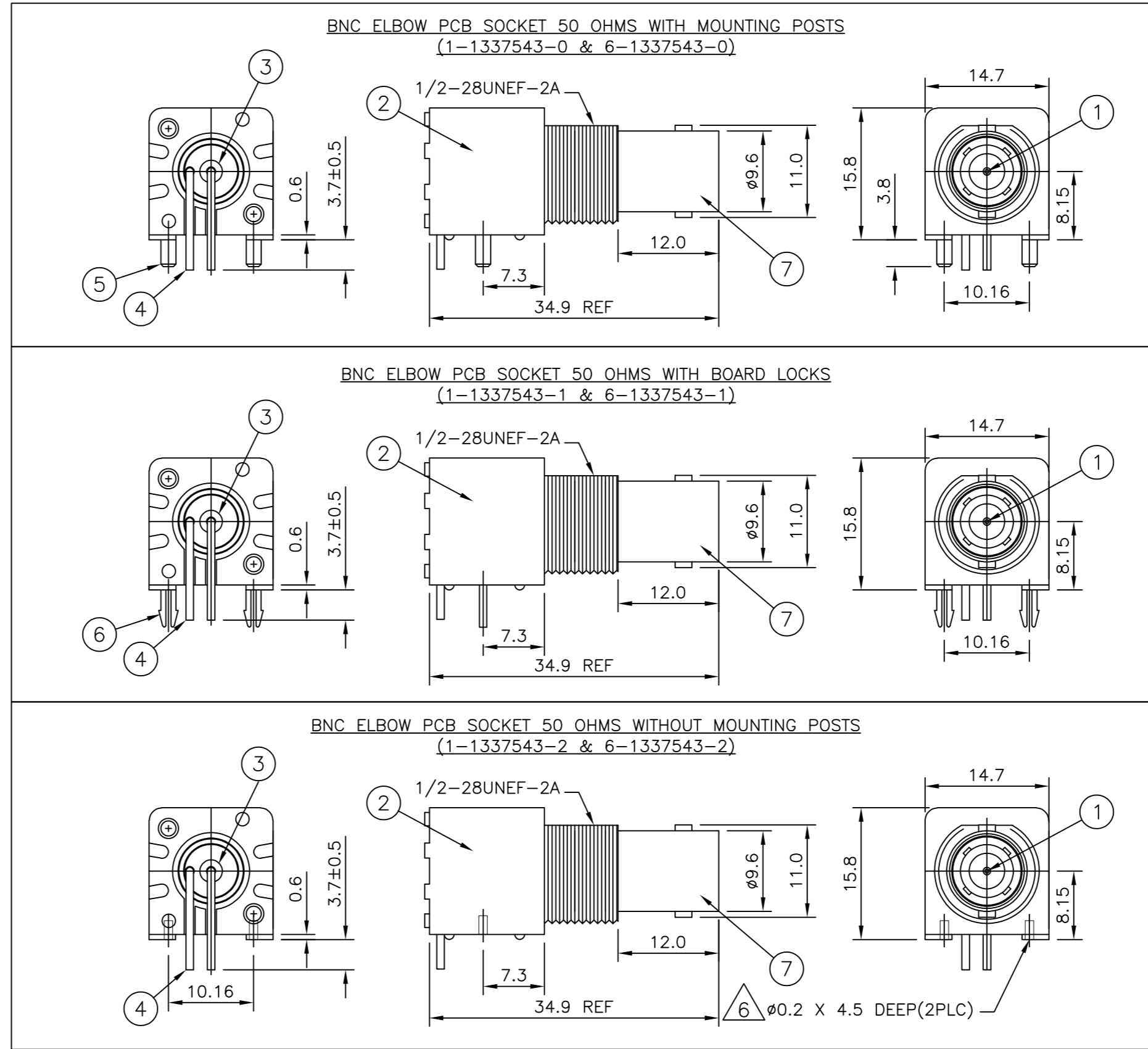


THIS DRAWING IS UNPUBLISHED. RELEASED FOR PUBLICATION AUGUST, 2005.
 © COPYRIGHT 2005 By - ALL RIGHTS RESERVED.

LOC		DIST		REVISIONS			
P	LTR	DESCRIPTION	DATE	DWN	APVD		
E1		REVISED PER ECO-11-005033	31MAR11	RK	HMR		
F		ECO-12-014680	20Aug2012	TITAN	MARTIN		

- NOTES:**
- ▲ SINGLE PACK IN ACCORDANCE WITH AMP SPEC 107-3275
 - ▲ 50 TRAY PACK IN ACCORDANCE WITH AMP SPEC 107-3275
 - ▲ GOLD PLATING
 - ▲ NICKEL PLATING
 - ▲ TIN PLATING
 - ▲ RECOMMENDED SELF-TAPPING SCREW 221108-4
 - 7. RECOMMENDED MOUNT NUT 1-1634816-0
 - 8. RECOMMENDED LOCKWASHER 1-1634817-0
 - 9. FOR TECHNICAL DATA REFER TO YOUR LOCAL TE CONNECTIVITY SALES OFFICE
 - 10. ALL DIMENSIONS ARE NOMINAL FOR REFERENCE ONLY UNLESS OTHERWISE STATED



		Obsolete	Obsolete	Obsolete						
1	1	1	1	1	1	1	ZINC DIECAST	▲	BODY	7
-	-	2	2	-	-	-	BRASS	▲	BOARD LOCK	6
-	-	-	-	2	2	-	BRASS	▲	MOUNTING POST	5
1	1	1	1	1	1	1	BRASS	▲	SOLDER TAIL	4
1	1	1	1	1	1	1	PE-606		INSULATOR	3
1	1	1	1	1	1	1	PBT WHITE		HOUSING	2
1	1	1	1	1	1	1	BRASS	▲	CONTACT	1
6--2	1--2	6--1	1--1	6--0	1--0		MATERIAL		DESCRIPTION	ITEM
▲	▲	▲	▲	▲	▲		QUANTITY PER ASSY			
										PARTS LIST

THIS DRAWING IS A CONTROLLED DOCUMENT.

DWN	RITA ZUO	14 Feb 09		TE Connectivity			
CHK	ANSON MA	14 Feb 09					
APVD	BOB ZHAO	14 Feb 09					
PRODUCT SPEC	108-112000						
APPLICATION SPEC			NAME	BNC R/A INSULATED PCB SOCKET 50 OHM WHITE			
MATERIAL	SEE TABLE	FINISH	SEE TABLE	SIZE	CAGE CODE	DRAWING NO	RESTRICTED TO
				A2	00779	C=1337543	
CUSTOMER DRAWING				SCALE	NTS	SHEET	1 OF 1
				REV	F		