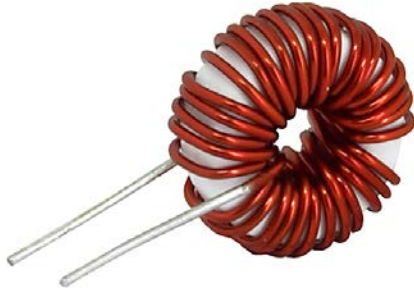


Linear Choke, open version, without socket



Description

- Linear choke
- Wire leads
- Open version without socket and chassis

Standards

- EN 60938

Applications

- Smoothing RFI suppression choke
- RFI suppression choke
- Chopper amplifiers
- DC drives and stepper motor controls
- Switching power supplies

Weblinks

[pdf datasheet](#), [html-datasheet](#), [General Product Information](#), [Approvals](#), [CE declaration of conformity](#), [RoHS](#), [CHINA-RoHS](#), [REACH](#), [Distributor-Stock-Check](#), [Detailed request for product](#)

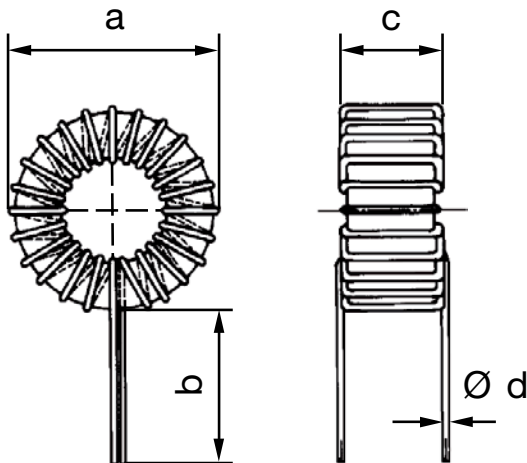
Technical Data

	to 600VDC
Rated Current	0.45 - 7 A @ Ta 70 °C
Rated inductance	0.02 - 5 mH, Tol. ±15%
Power Operating Frequency	up to 20kHz
Terminal Type	Wire leads
Weight	10 - 12g

Isolation Voltage	2 kV eff., winding to ambient
Climatic Category	40/125/21 acc. to IEC 60068-1
Allowable Operation Temp.	-40°C to 125°C

Detailed information on product approvals, code requirements, usage instructions and detailed test conditions can be looked up in [General Product Information](#)

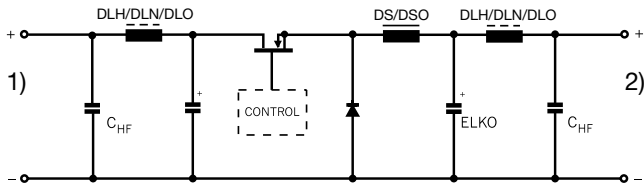
Dimension



Dimensions: see table of variants

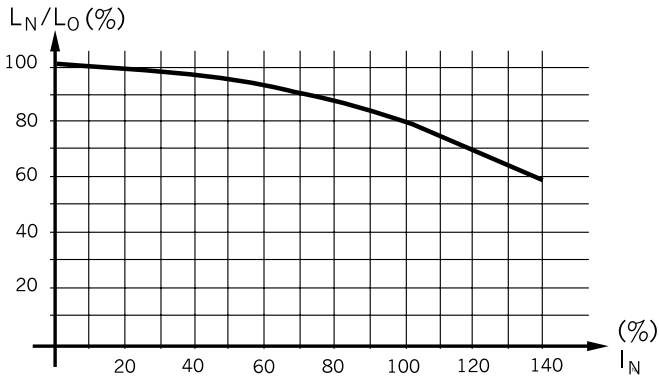
Diagrams

Application in DC-DC Converter



- 1) DC-Input unregulated
- 2) DC-Output regulated

Derating Curves



Inductance variation as function of the magnetizing current

All Variants

I _n [A]	L _n [mH]	R _{cu} [mΩ]	f _{RES} [MHz]	Inductance drop max [%]	A [mm]	B [mm]	C [mm]	D [mm]	Weight [g]	Packing unit [pcs.]	Order Number
0.45	5	3000	0.3	20	20 mm	15 mm	10 mm		10 g	200	DL01-24-0008
0.6	3	1550	0.4	20	20 mm	36 mm	10 mm		11 g	200	DL01-24-0007
1.0	1	600	0.8	20	20 mm	15 mm	10 mm		10 g	200	DL01-24-0006
1.5	0.5	280	1.3	20	20 mm	15 mm	10 mm		10 g	200	DL01-24-0005
1.8	0.3	178	2	20	20 mm	15 mm	10 mm		10 g	200	DL01-24-0004
3	0.1	70	8.2	20	20 mm	36 mm	10 mm		10 g	200	DL01-24-0003
4.5	0.05	26	8.4	20	20 mm	15 mm	10 mm	0.9 mm	11 g	200	DL01-24-0002
7	0.02	12	20.2	20	20 mm	36 mm	10 mm	1.2 mm	12 g	150	DL01-24-0001

R_{cu} at T_u 20°C
Inductance drop at I_n
Derating at T_u > 70°C: I = I_n × ((125 - T_u)/55)^{0.5}

Availability for all products can be searched real-time: <http://www.schurter.com/en/Stock-Check/Stock-Check-SCHURTER>