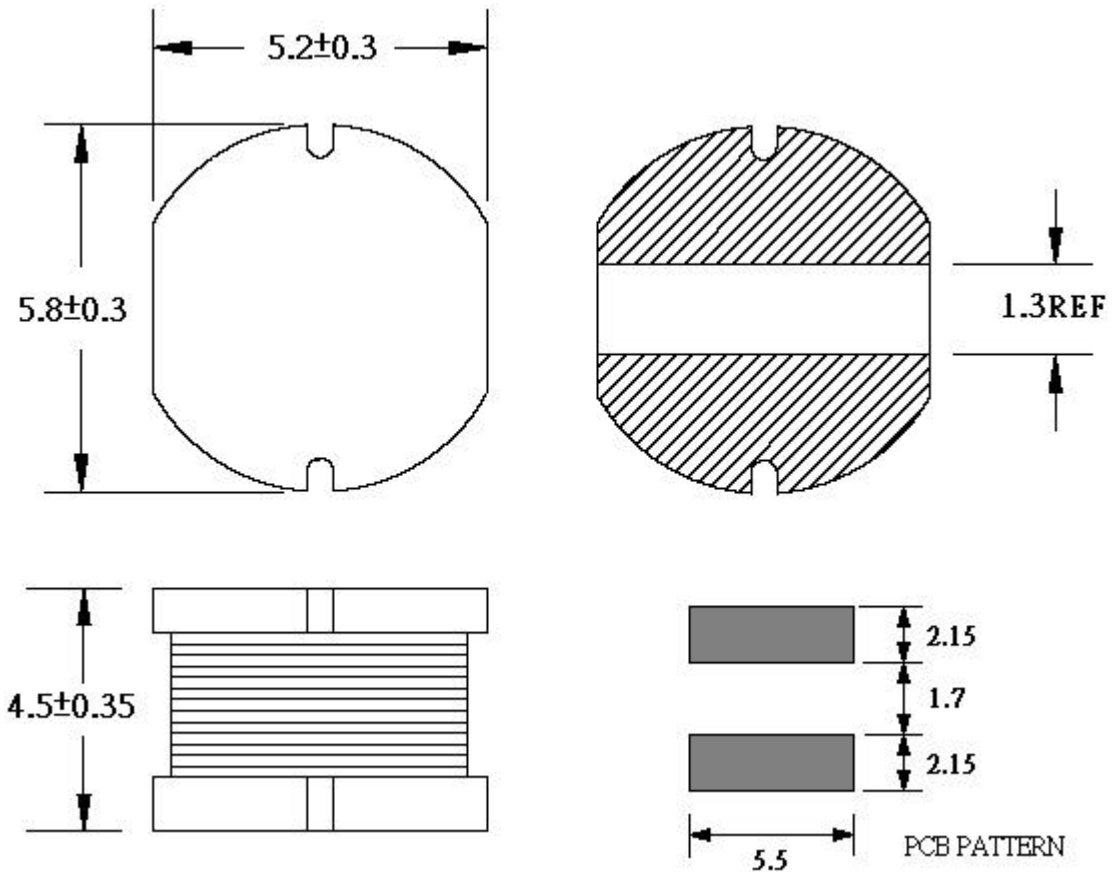


TCK-059



All dimensions in mm

SPECIFICATIONS		Choke TCK-059
Inductance	2.2 μ H \pm 20%	
	Test Condition: 1KHz/1000mV Measurement Instrument: HP 4263B LCR Meter	
Impedance	DCR (Max): 25m Ω	
	Measurement Instrument: Agilent 34401A Meter	
Rated current	Idc (Max): 3.8A	
	Measurement Instrument: Agilent 34401A Meter	