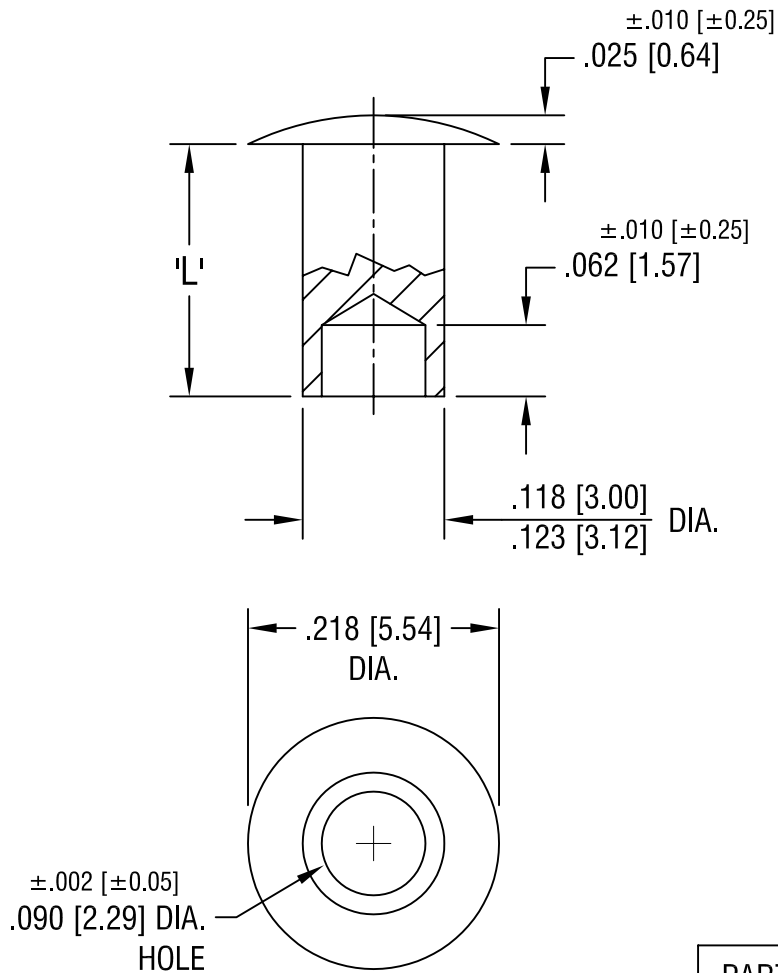


THIS DOCUMENT IS THE PROPERTY OF
KEYSTONE ELECTRONICS CORP. AND
SHALL NOT BE REPRODUCED, DISTRIBUTED
OR USED AS A BASIS FOR MANUFACTURE
WITHOUT PRIOR WRITTEN PERMISSION
FROM KEYSTONE ELECTRONICS CORP.



PART NO.	'L' DIM.
3388	.156 [3.96]
3389	.187 [4.75]
3390	.218 [5.54]
3391	.250 [6.35]

KEYSTONE ELECTRONICS CORP.			
ASTORIA, N.Y. 11105-2017			
PART NAME RIVET, SEMI-TUBULAR			
MATERIAL BRASS			
FINISH DUCTILE NICKEL PLATE		DRN BY BOONE	DATE 8.26.82
		APP'D LN	SCALE 6X
TOLERANCES INCH [MM] DECIMAL $\pm .005$ [± 0.15] ANGULAR $\pm 1^\circ$ UNLESS OTHERWISE SPECIFIED		CODE C/M	DWG NO. 3388-3391

2.26.08	CHANGE AS PER ECN 08-090	A
DATE	DESCRIPTION	REV.