



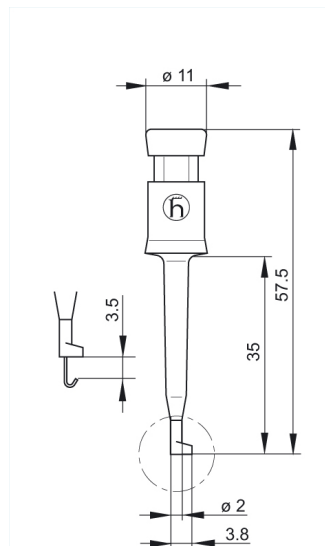
KLEPS 2 rot/red

Industrial Connectors:Measuring and Testing Equipment:Clamp-type test probes:2 mm system

Product description

Description	Miniature clamp-type test probe with solder connection. Gold-plated sprung bronze contact hook for wires up to a maximum diameter of 2 mm. Remove actuator button for soldering, when cable is connected, press back on until it engages.
Type	KLEPS 2 rot/red
Order No.	931 467-101
System	unrelated to system
Clamping range	2 mm
Clamp type	contact hook
Housing Color	red
Other standard types	black color, Order-No. 931 467-100

Drawing



Technical data

Type of contact	soldered
Type of termination	soldered
Rated voltage	DC 60 V
Rated current	6 A
Contact resistance	15 mOhm

Material

Contact material	contact hook: bronze
Contact surface material	gold-plated
Housing material	PBT

Environmental conditions

Temperature range	-25 °C to +100 °C
-------------------	-------------------

Inflammability class

Housing	94 HB
---------	-------