

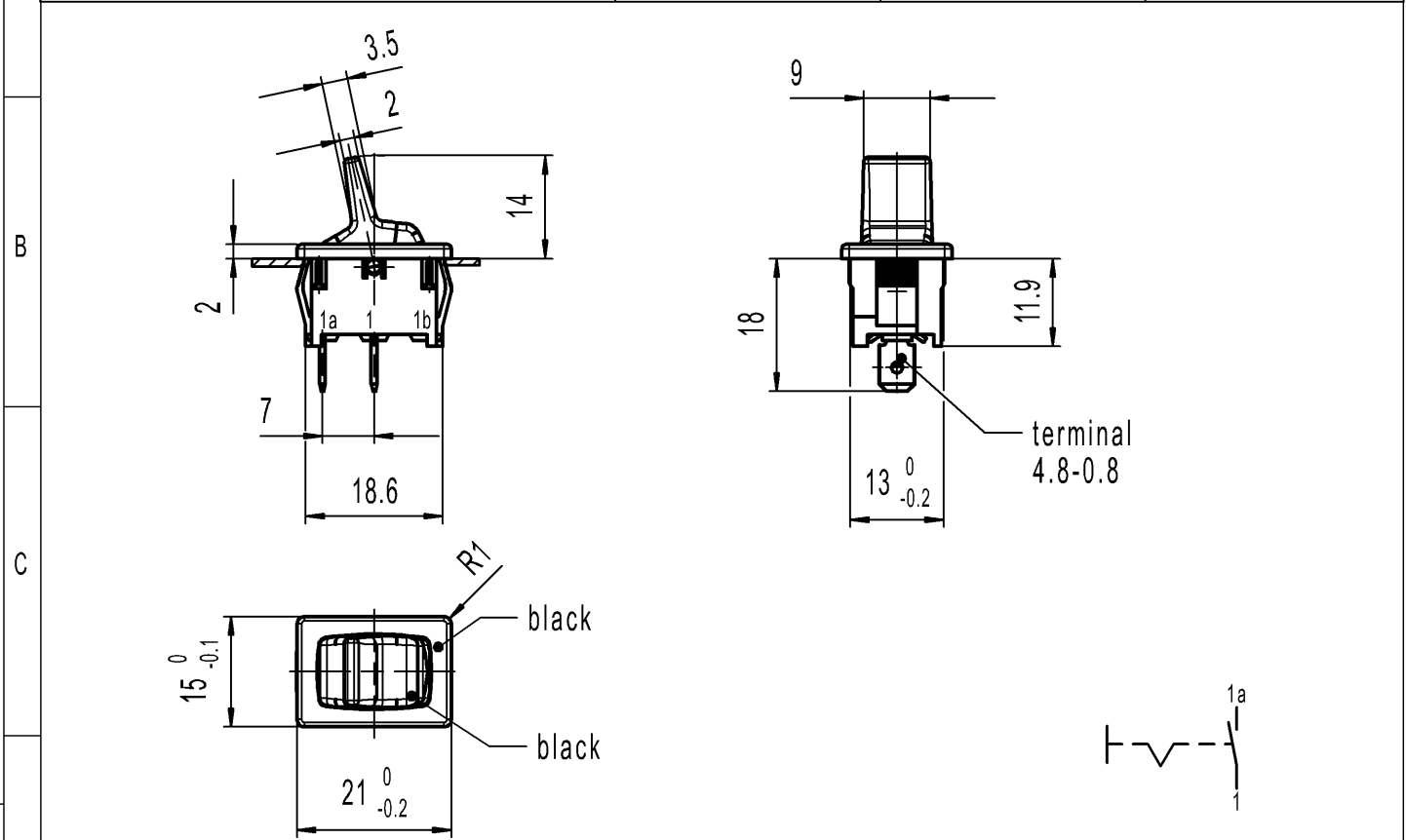
CONFIDENTIAL

VERTRAULICH

Alle Rechte bei Marquardt, auch fuer den Fall von Schutzrechtsanmeldungen. Jede Veruegungsbefugnis, wie Kopier- und Weitergaberecht, bei uns.

THIS DRAWING IS THE EXCLUSIVE PROPERTY OF MARQUARDT. WITHOUT THEIR CONSENT IT MAY NOT BE REPRODUCED OR GIVEN TO THIRD PARTIES.

A	recommended cut-out for snap-in fixing (edge opposite to snap-in direction)	1	2	3	4
		wall thickness	length of cut-out	width of cut-out	
		0.75 to 1.25	19.2 -0.1	12.9+0.1	
		1.25 to 2	19.4 -0.1	12.9+0.1	
		2 to 3	19.8 -0.1	12.9+0.1	



Marking

 1811.
 6(4)/250~5E4
 10(4)/250~ T100/55

SPST
 Suitable for appliances of class II

6A 125-250V AC
 1/4HP 125V AC
 1/2HP 250V AC
 R30

Code of manufacture: place/year/week

-	-	-	1811.1102-XX
Figure	Type	Customer Part No.	Art.No.-PI
Shape and location	Angle $\pm 2^\circ$	Sheet 01	
	Edge tolerance	Ident. K	Document number 18111102
	0-6 ± 0.2	Index e	Appliance Switch
	>6-15 ± 0.4	All dimensions are in millimetres	
	>15-30 ± 0.4	Format DIN A4	
	\pm	Projection	Scale 1:1
	\pm	System NX V1872	
	\pm	Replacement of	
	\pm	Zg.gl.Nr.v.26.06.2000	
e	137894	Date (YYYY-MM-DD)	
d	64505	Edited by	
c	29860	2021-06-09	
b	15837	2010-01-26	
Index	MEC-No.	2000-06-19	
		1984-04-10	
		JOSHIO	
		MUT	
		SIG	
		RIE	

