
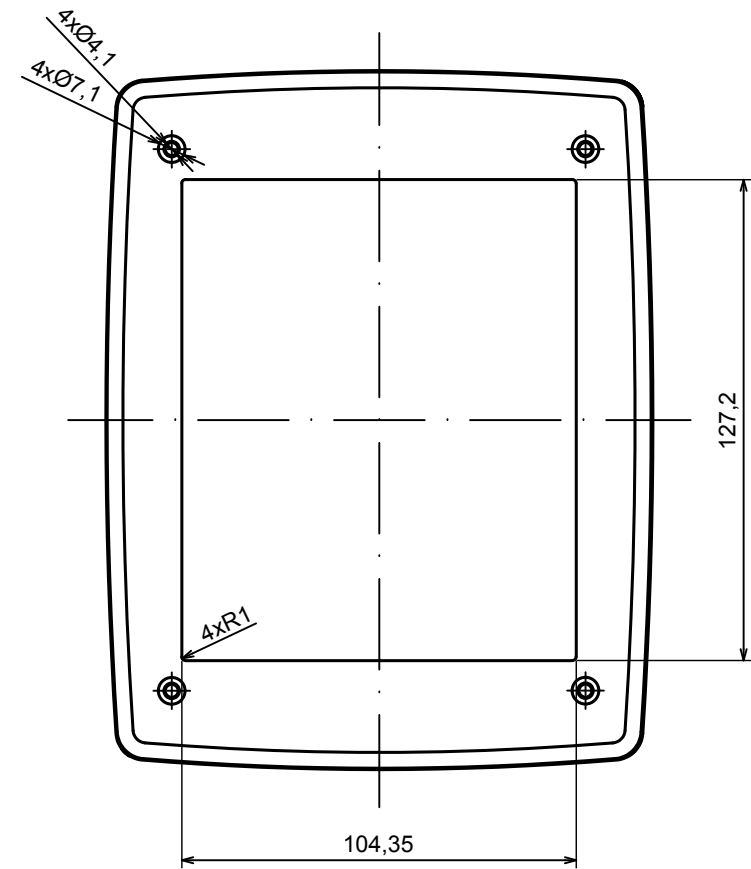
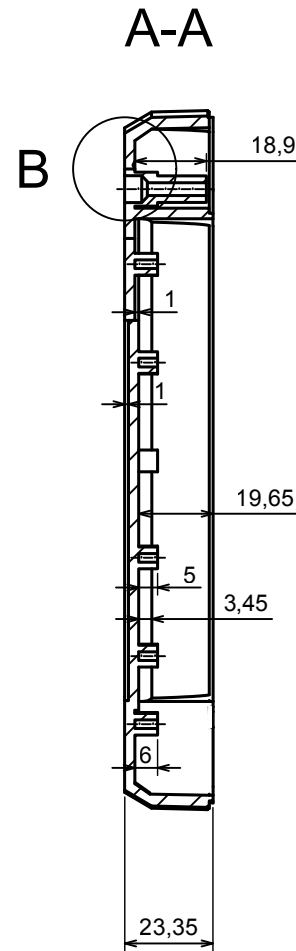
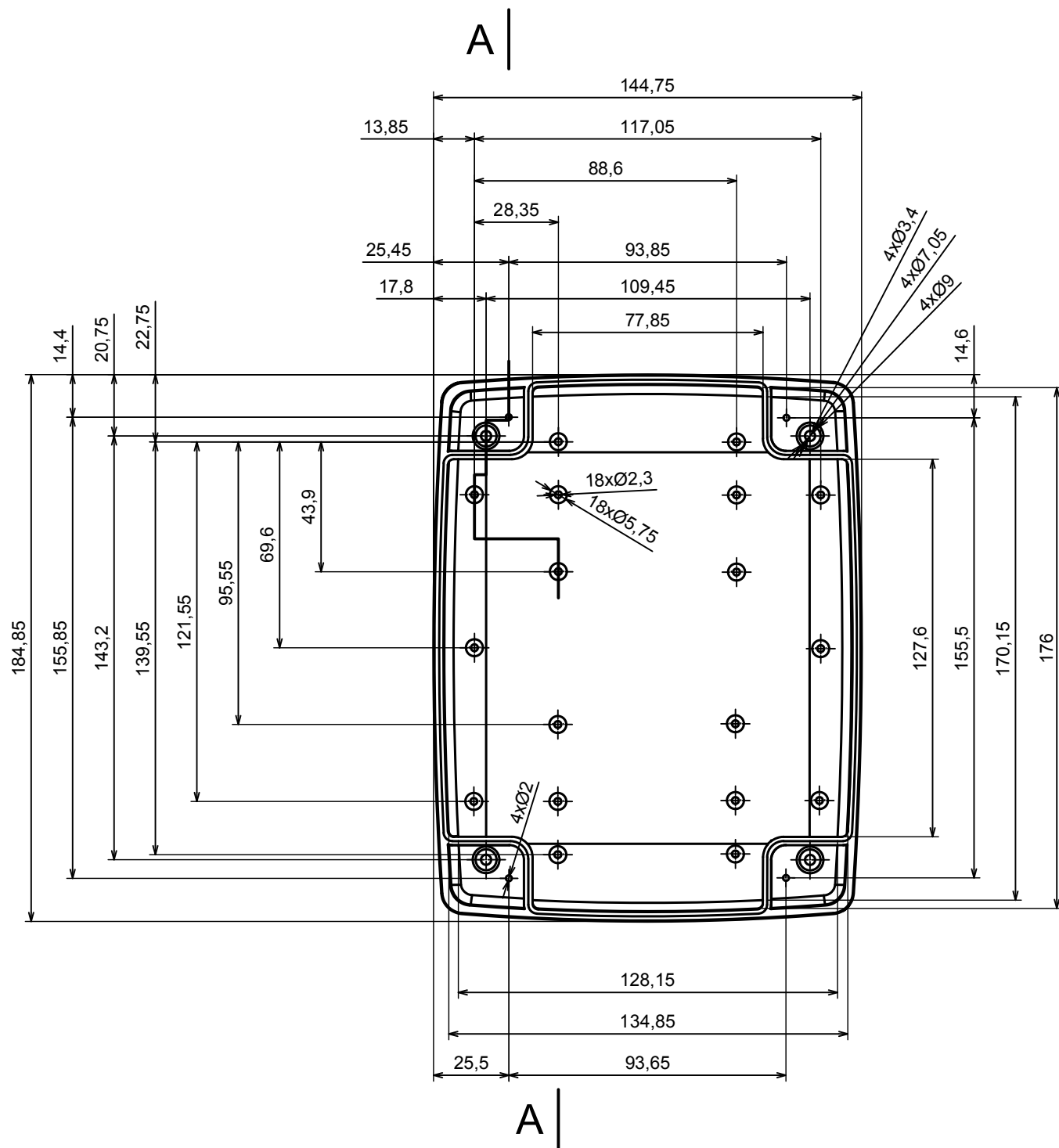
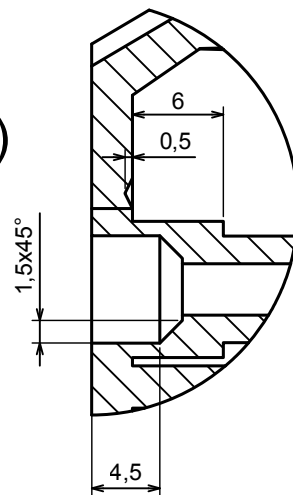


All rights reserved, Copyright Kradox 2016		
Product model	Enclosure Z124 - assembly	
Format: A3	Material: PS, ABS	
Scale 1:2	Tolerance: +/- 0.8	



B (2:1)



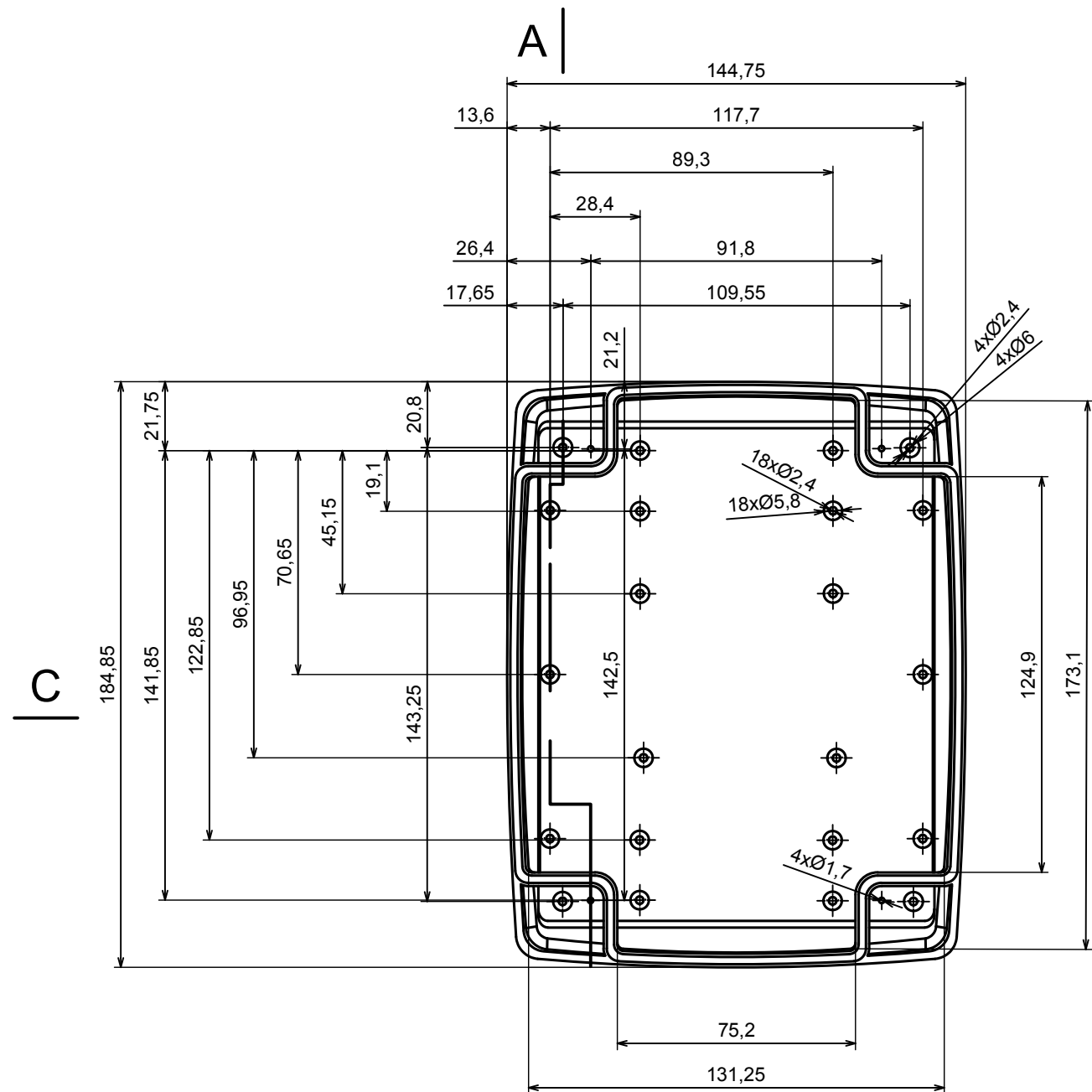
All rights reserved, Copyright Kradox 2016

Product model Enclosure Z124 - base

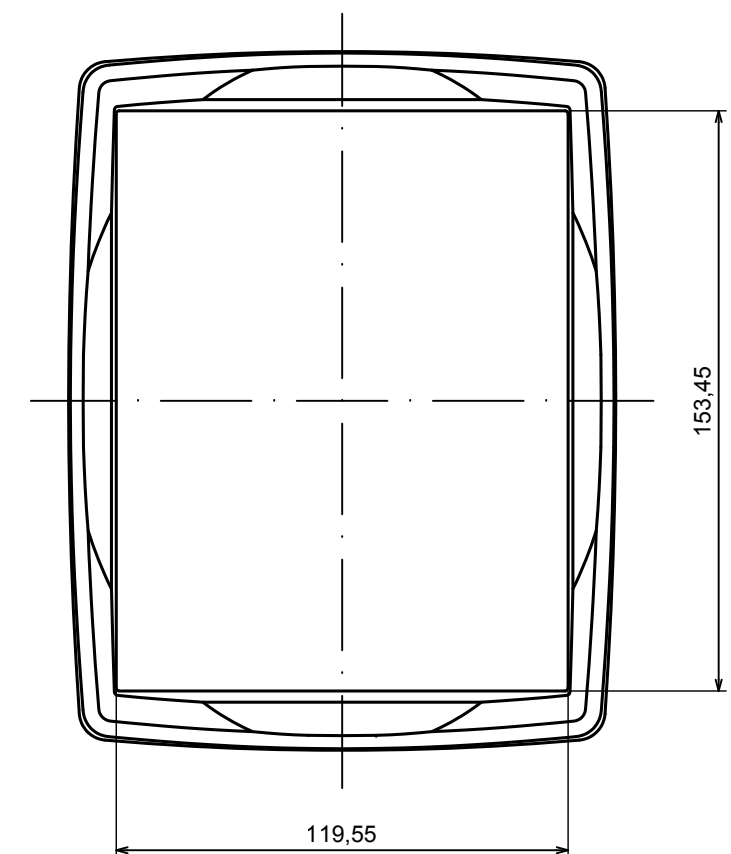
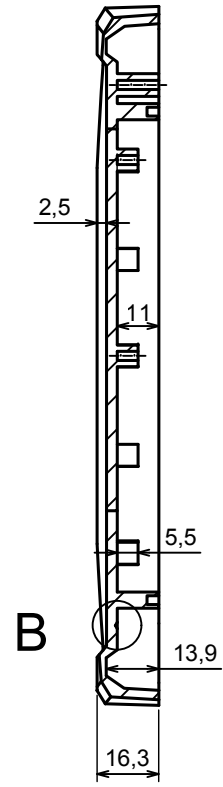
Format: A3 Material: PS, ABS

Scale 1:2 Tolerance: +/- 0.8





A-A

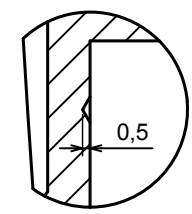


A

C-C



B (2:1)



All rights reserved, Copyright Kradox 2016		
Product model	Enclosure Z124 - cover	
Format: A3	Material: PS, ABS	
Scale 1:2	Tolerance: +/- 0.8	