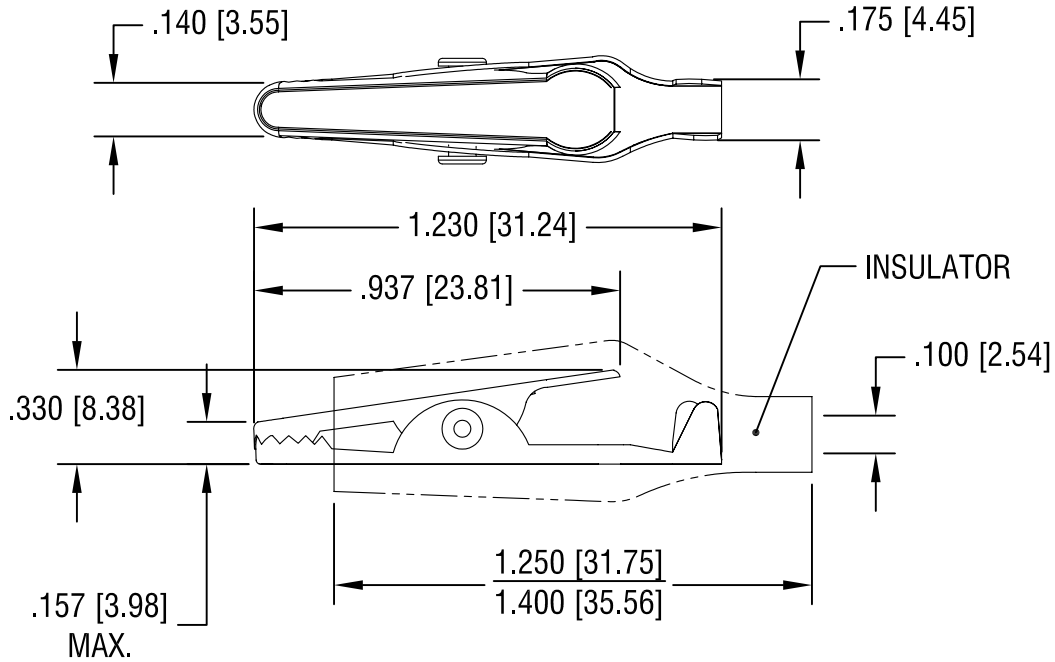
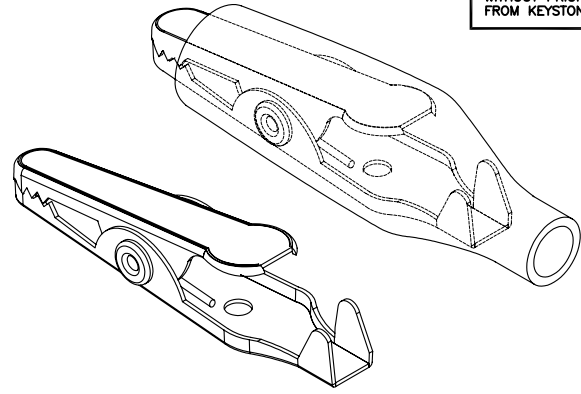


THIS DOCUMENT IS THE PROPERTY OF
KEYSTONE ELECTRONICS CORP. AND
SHALL NOT BE REPRODUCED, DISTRIBUTED
OR USED AS A BASIS FOR MANUFACTURE
WITHOUT PRIOR WRITTEN PERMISSION
FROM KEYSTONE ELECTRONICS CORP.



PART NO.	COLOR, VINYL INSULATOR
5033	NO INSULATOR
5034	RED
5035	BLACK
5036	GREEN
5037	YELLOW

KEYSTONE ELECTRONICS CORP.

www.keyelco.com • ASTORIA, N.Y. 11105-2017 • Tel (718) 956-8900

PART NAME		SMALL ALLIGATOR CLIP	
MATERIAL		STEEL	
FINISH		DRN BY	DATE
NICKEL PLATE		BOONE	11.18.82
		APP'D	SCALE
		LN	2X
TOLERANCES		DWG NO.	
INCH	[MM]		
DECIMAL	$\pm .020$ [± 0.50]		
ANGULAR	$\pm 1^\circ$		
UNLESS OTHERWISE SPECIFIED			
CODE	C/M		
		5033-5037	

11.06.08	CHANGE AS PER ECN 08-175	B
10.28.93	UPDATE ALL DIM'S & TOL.	A
DATE	DESCRIPTION	REV.