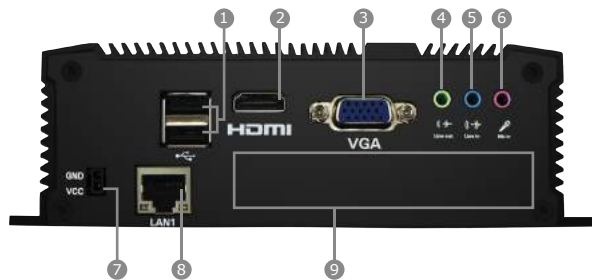


TEK3-IMX6



- A. Reset Button
- B. S1 Button
- C. Micro-SIM cardslot
- D. microSD cardslot
- E. USB 2.0 OTG (TYPE-C)
- F. 4x LED
- G. Antenna Hole



- 1. USB 2.0
- 2. HDMI
- 3. VGA
- 4. Line out
- 5. Line in
- 6. Mic in
- 7. Power
- 8. LAN1
- 9. Expansion I/O

Main Features

- TEK3-IMX6 is a scalable, high-performance fanless box PC based on a single/dual/quad core ARM Cortex-A9 NXP i.MX6 series processor.
- Internal M.2 and Mini-PCIe slots (with SIM card) for connectivity expansion modules.
- Compatible with TechNexion expansion boards series for additional input and output's.



Specifications

Core System

Processor	NXP i.MX6 Solo NXP i.MX6 DualLite NXP i.MX6 Dual NXP i.MX6 Quad
Architecture	ARM Cortex-A9
PMIC	NXP MMPF0100
Memory	up to 4GB DDR3
Storage	eMMC (4GB Default) M.2 SSD (optional) MicroSD Cardslot

Connectivity

Network LAN	1x Atheros AR8035 Gigabit LAN
Power over Ethernet	PoE function 802.3at (optional)

Expansion Interfaces

Expansion Slots	1x M.2 slot 1x mini-PCIe with SIM cardslot
-----------------	---

External Connectors

External Display	1x HDMI 1x VGA 15-pin D-SUB
Audio Connectors	1x 3.5mm jack Microphone 1x 3.5mm jack Stereo Audio in 1x 3.5mm jack Stereo Audio out
Network	1x RJ45
USB	1x USB 2.0 OTG (Type-C) 2x USB 2.0 Host

Buttons

1x Boot Select
1x Reset
4x Programmable LED's
1x Micro-SIM cardslot
1x microSD cardslot

Video

Video Decode	1080p30 + D1 (Solo/DualLite) 1080p60 H.264 (Dual/Quad)
Video Encode	1080p30 H.264 BP/Dual 720p

Audio

Audio Codec	NXP SGTL5000
-------------	--------------

Sensors

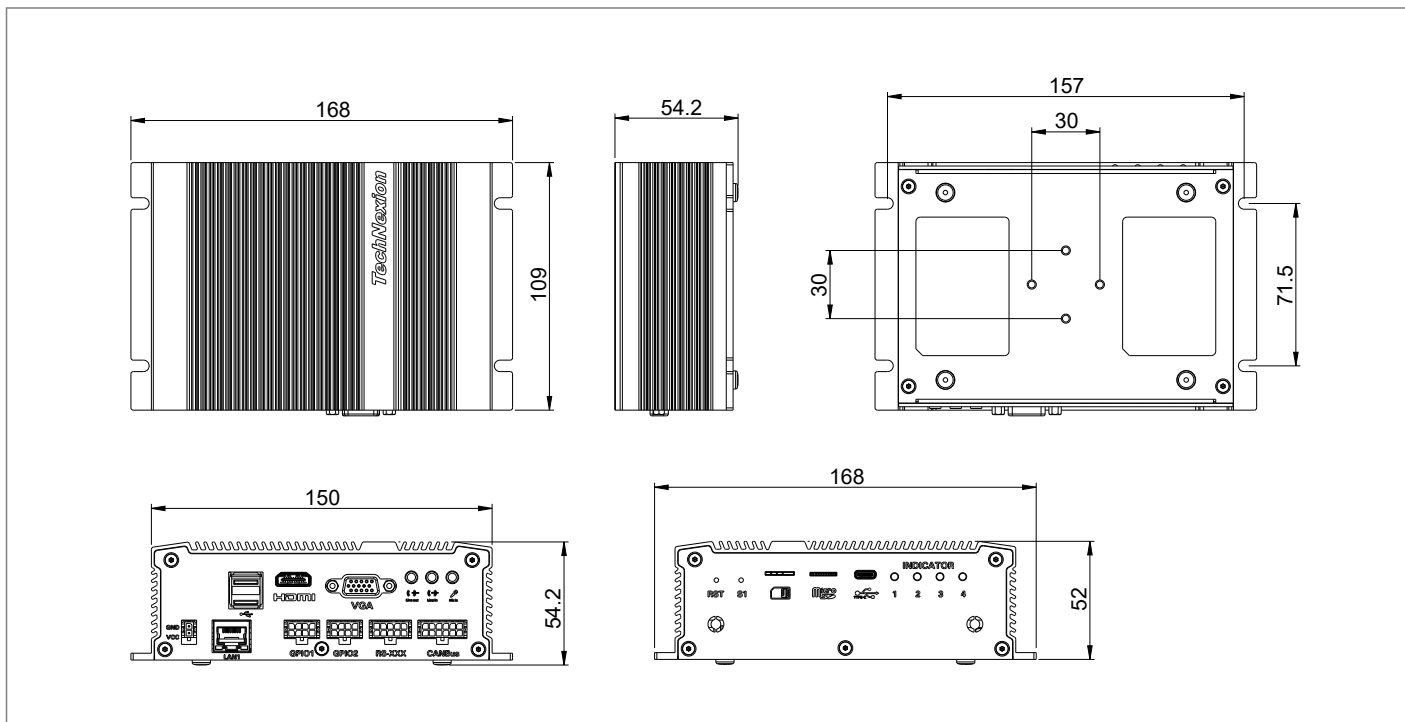
RTC	maxim integrated DS1337+ with backup Battery
-----	---

Power Specifications

Power Input	12V 24V 8-36V (wide power input)
Power over Ethernet	PoE function 802.3at (optional)
Power Connector	2-pin Micro-Fit 3.0
Power Consumption	Depending on Configuration

Dimensions

(units in mm)



Operation Systems

Standard Support	Linux Yocto Ubuntu Android
Extended Support	Commercial Linux

Environmental and Mechanical

Enclosure Material	Anodized Aluminium
Dimensions	168 (W) x 109 (H) x 55 (D) mm
Weight	705 grams
Temperature	Commercial: 0° to +50° C
Relative Humidity	10 to 90 %
MTBF	50 000 Hours
Shock	30G half-sine 11 ms duration
Vibration	3 Grms random 5-500Hz hr/axis
Certification	Compliant with CE / FCC / RoHS / REACH directives

Modular Expansion Options

Power Expansion Module	TXB-P1-12V-LAN1 (12V 3A) TXB-P1-24V-LAN1 (24V 3A) TXB-P1-1030V-LAN1 (8-36V 5A) TXB-P1-12V-POE1 (12V 3A) or (PoE 802.3at)
I/O Expansion Module	TXB-I2-GS2-GC2-GG8 (Galvanic Isolated) 2x RS-232 + 2x CAN + 8x GPIO TXB-I2-S2-C2-G8 2x RS-232 + 2x CAN + 8x GPIO

Mounting Options

Surface Mounting	4 mounting holes
DIN Mounting	30mm DIN rail standard (DIN bracket separate purchase)

Ordering Information

TEK3-IMX6x-Rxx-Exx-Lxxx-xxxx-xx-xxxx

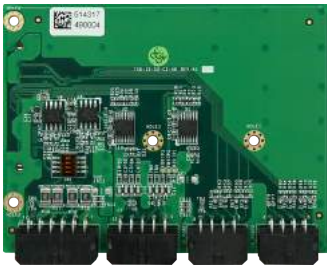
	Code	Description
Processor	IMX6S	NXP i.MX6Solo
	IMX6U	NXP i.MX6DualLite
	IMX6D	NXP i.MX6Dual
	IMX6Q	NXP i.MX6Quad
Memory	R05	512MB DDR3
	R10	1GB DDR3
	R20	2GB DDR3
	R40	4GB DDR3
Storage	E04	eMMC capacity in Gigabyte E04 = 4GB / E08 = 8GB / E16 = 16G E32 = 32GB / E64 = 64GB
Power Expansion	L112	TXB-P1-12V-LAN1 (12V 3A)
	L124	TXB-P1-24V-LAN1 (24V 3A)
	L130	TXB-P1-1030V-LAN1 (8-36V 5A)
	LPOE	TXB-P1-12V-POE1 (12V 3A) or (PoE 802.3at)
I/O Expansion	-	-
	XS20	2x RS-232 + 2x CAN + 8x GPIO
	XG20	2x RS-232 + 2x CAN + 8x GPIO (Galvanic Isolated)
Temperature Range	-	Commercial Temperature range (0° to +50° C)
Custom ID	XXXX	Custom Part number ID for customized software loader and special component (BOM)

* Feel free to contact us for customization requests.



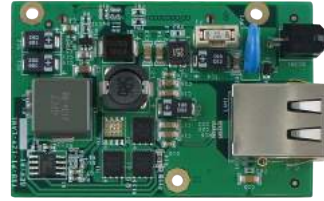
TXB-I2-GS2-GC2-GG8

- 1X GALVANIC ISOLATED SERIAL PORT RS232/422/485
- 1X GALVANIC ISOLATED SERIAL PORT RS232
- 2X GALVANIC ISOLATED CAN BUS CONTROLLER
- 4X GALVANIC ISOLATED GPIO INPUT
- 4X GALVANIC ISOLATED GPIO OUTPUT



TXB-I2-S2-C2-G8

- 2X SERIAL PORTS RS232
- 2X CAN BUS CONTROLLER
- 8X GPIO



TXB-P1-12V-LAN1

- 12V DC POWER INPUT
- 1X RJ45 LAN CONNECTOR



TXB-P1-24V-LAN1

- 24V DC POWER INPUT
- 1X RJ45 LAN CONNECTOR



TXB-P1-1030V-LAN1

- 8-36V DC WIDE POWER INPUT
- 1X RJ45 LAN CONNECTOR



TXB-P1-12V-POE1

- POWER OVER ETHERNET (802.3at)
- 12V DC POWER INPUT
- 1X RJ45 CONNECTOR