



# STAR 10.4" PPC

10.4" IP66 / 67 Fanless Panel PC with Intel® Atom™ Bay Trail Processor

## ■ Features:

- 10.4" LCD with resistive touch screen
- Intel® Atom™ Bay Trail J1900 / E3825 / E3845 SoC
- DDR3L 2GB / 4GB on board
- M12 IO connectors
- Aluminum housing



## ■ Specifications :

Motherboard	2I385HW	
CPU	Intel® Atom™ Bay Trail J1900 / E3825 / E3845	
Chipset	Intel Bay Trail SoC	
Memory	DDR3L 2GB / 4GB	
Storage	mSATA, HDD / SSD*	
Expansion slots	1 x Full-size Mini PCIe (PCIe / USB / mSATA) 1 x Half-size Mini PCIe (USB / mSATA)	
M12 I/O ports (Selectable)	Network	2 x Intel GbE
	USB	4 x USB 2.0, 1 x USB 3.0
	Serial ports	4 x RS232
	Display	1 x VGA
Optional Modules & Function	GPS, Bluetooth, PoE, WiFi, 4G LTE, Isolated COM, battery UPS *SATA Kit, *VESA Mount Kit, *External power adapter	
Certification	CE / FCC, EN50155	
OS Support	Windows® 10 IOT (64bit), Windows® 8.1 (64bit), Windows® Embedded 8 Standard (64bit), Windows® 7 (32 / 64bit), Windows® Embedded Sta 7 (32 / 64bit), Ubuntu 14.10 above, Fedora 25 above, Debian 8 above, CentOS 7.3 above, Mint 18.1 above	

## ■ Mechanical

Dimensions 279.5W x 231D x 54.6H mm

Weight 2.67 kg

Mounting VESA mount & Stand (optional)

## ■ Power

DC input +9~36V

AC input External adapter 100 / 240V, AC-DC (optional)

## ■ LCD Display & Touch

Display Type 10.4 inch 4:3

Max. Resolution 1024 x 768

Viewing Angle 60(U) 70(D) 80(R) 80(L)

Luminance (cd/m2) 400

Contrast Ratio 700:1

Touch Type Resistive Touch Screen

## ■ Environment

Operating Temp. -20°C to +60°C with mSATA / SSD

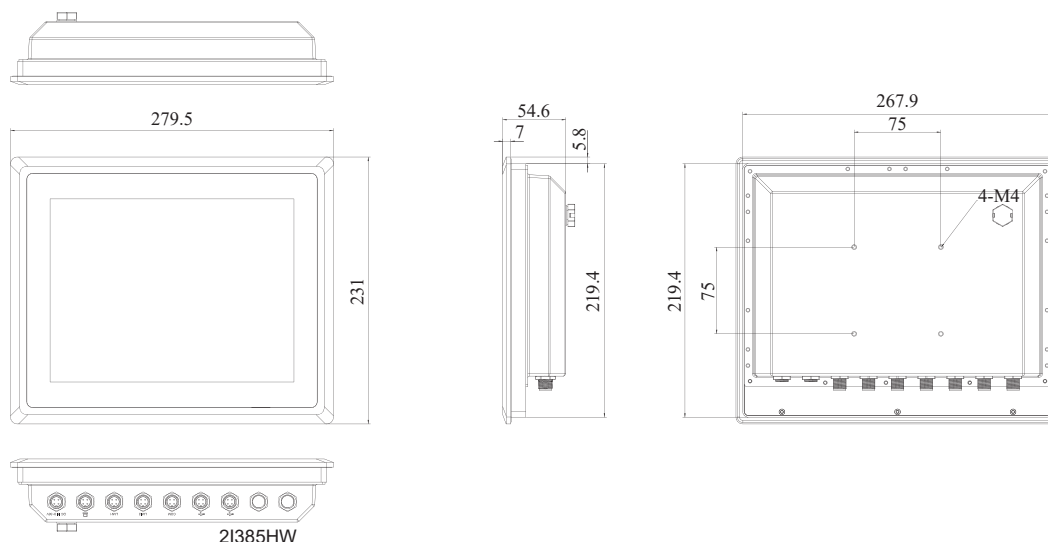
(100 % CPU usage) 0°C to +50°C with HDD

Storage Temp. -20°C to +70°C

Relative Humidity 95% @ 40°C, non-condensing

IP Rating IP66 / IP67 Compliant

## ■ Dimension



Specification are subject to change without prior notice. ODM / OEM is available.