



E-SERIES INCLINOMETER

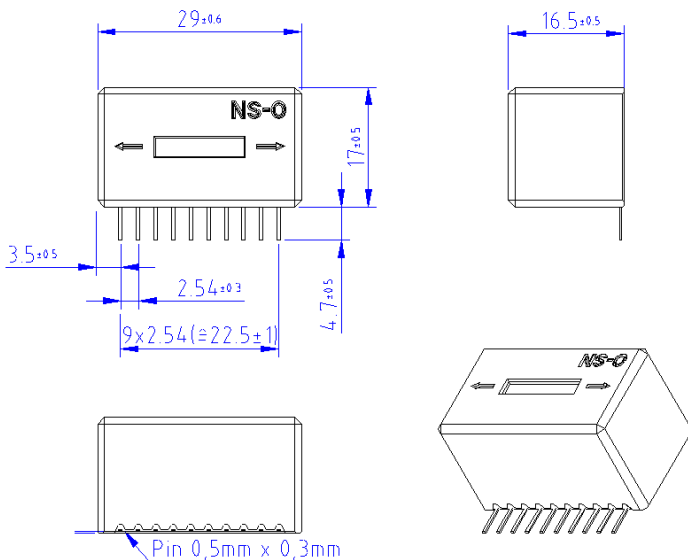
SPECIFICATIONS

Single axis inclinometer

Measurement range ± 5 resp. ± 15 deg

Analog voltage output

Dimensions [mm]



The **E-Series** is a fully signal conditioned single axis inclinometer ready for installation. Consisting of a tilt sensor, and hybrid electronics sealed within a ceramic housing, the E-Series provides a smooth VDC output over the ± 5 resp. ± 15 deg measurement range. Adjustments to zero, sensitivity and accuracy can be made by use of external passive components, allowing customization to individual applications. A precision reference surface assures measurement accuracy, while the 10 connection pins provide easy soldering onto a circuit board or other substrate.

FEATURES

- +6.5 to +24 VDC unregulated input
- Lightweight / compact
- High resolution
- Wide $-25\text{ }^{\circ}\text{C}$ – $+85\text{ }^{\circ}\text{C}$ operating temp range
- Small dimension
- Easy installation

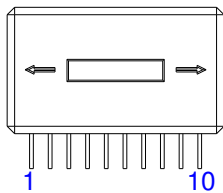
APPLICATIONS

- Road construction machines
- Building control
- Weighing systems
- Mobile and stationary cranes
- Platform leveling

PARAMETERS

	Conditions	Min	Type	Max	Unit
Measurement range ⁽¹⁾		-5 , -15		+5, +15	deg
Repeatability			0.02		Deg
Linear error	NS-5/E		0.5		%
Linear error	NS-15/E		1.5		%
Symmetry error			0.5		deg
Zero point offset ⁽²⁾			0.5		deg
Response time ⁽³⁾	t90 G-NSE-001, G-NSE-013		1		s
Response time ⁽³⁾	t90 G-NSE-007		4		s
TC zero point			0.5		m°/K
TC sensitivity			6.5		m°/K
Output signal, typical	NS-5/E	-3		+3	V
Output signal, typical	NS-15/E	-2		+2	V
Current consumption			5		mA
Power supply		+6.5		+24	VDC
Operating temperature range		-25		+85	°C
Storage temperature range		-40		+85	°C
Weight			20		g
Dimensions	W x D x H		29 x 17 x 16		mm

- (1) measurement ranges $\pm 5^\circ$ and $\pm 15^\circ$ are available
- (2) external adjustment with potentiometer possible
- (3) response time depends on the used electrolyte:
 - a. less viscose elektrolyte results in faster response time
 - b. more viscose elektrolyte results in higher output stability



For pinning please use the instruction manual of the E-series.

ORDERING INFORMATION

PART NUMBERING	UNIT	SHORT DESCRIPTION
G-NSE-001	NS-5/E	Range ±5 deg, Vcc +6.5 – 24 VDC,voltage output signal ±3 V
G-NSE-007	NS-15/E	Range ±15 deg, Vcc +6.5 – 24 VDC,voltage output signal ±2 V
G-NSE-013	NS-15/E	Range ±15 deg, Vcc +6.5 – 24 VDC,voltage output signal ±2 V

NORTH AMERICA	EUROPE	ASIA
TE Connectivity Sensors, Inc. 1000 Lucas Way Hampton, VA 23666 United States Phone: +1-800-745-8008 Fax: +1-757-766-4297 Email: customercare.hmpt@te.com Web: www.te.com	TE Connectivity Sensors Germany GmbH Hauert 13 D-44227 Dortmund Germany Phone: +49-(0)231-9740-0 Fax: +49-(0)231-9740-200 Email: customercare.dtmd@te.com Web: www.te.com	TE Connectivity Sensors China Ltd. No. 26, Langshan Road High-tech Park (North) Nanshan District, Shenzhen 518057 China Phone: +86-755-33305088 Fax: +86-755-33305099 Email: customercare.shzn@te.com Web: www.te.com

TE.com/sensorsolutions

TE Connectivity, TE Connectivity (logo) and EVERY CONNECTION COUNTS are trademarks. All other logos, products and/or company names referred to herein might be trademarks of their respective owners.

The information given herein, including drawings, illustrations and schematics which are intended for illustration purposes only, is believed to be reliable. However, TE Connectivity makes no warranties as to its accuracy or completeness and disclaims any liability in connection with its use. TE Connectivity's obligations shall only be as set forth in TE Connectivity's Standard Terms and Conditions of Sale for this product and in no case will TE Connectivity be liable for any incidental, indirect or consequential damages arising out of the sale, resale, use or misuse of the product. Users of TE Connectivity products should make their own evaluation to determine the suitability of each such product for the specific application.

© 2020 TE Connectivity Ltd. family of companies All Rights Reserved.