



## SPECIFICATIONS SHEET

**PRODUCT TYPE : ASYMMETRIC ULTRASONIC SENSORS**

**PRODUCT SERIES : USWA14A**

**DESCRIPTION : USWA 14D 9H 10V PIN ALUMINIUM RoHS**

**COLOR : SILVER**

***ELECTRICAL SPECIFICATIONS***

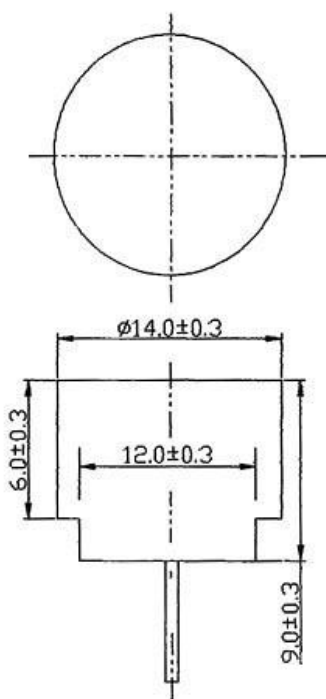
<b>MODEL NO.</b>	<b>USWA14A09LFPM</b>	
<b>CONSTRUCTION</b>	WATERPROOF TYPE	
<b>FUNCTION</b>	TRANSMITTER & RECEIVER	
<b>DIAMETER ( A ) ± 0.3</b>	mm	∅ 14.0
<b>HEIGHT ( B ) ± 0.3</b>	mm	9.0
<b>SOUND PRESSURE LEVEL</b> ( 0dB = 0.0002 ubar )	Min. 95.0 dB ( 10.0 V rms Sine Wave / 30.0 cm )	
<b>SENSITIVITY</b>	Min. - 82.0 dB ( v / u bar )	
<b>CENTER FREQUENCY</b>	Hz	40000 ± 1000
<b>Directivity ( deg ) X - axis</b>	120.0 ± 15.0	
<b>Directivity ( deg ) Y - axis</b>	60.0 ± 10.0	
<b>CAPACITANCE AT 1KHz</b>	pF	1800 ± 15 %
<b>ALLOWABLE INPUT VOLTAGE</b>	p-p	140V ( 40 KHz ) Pulse width 0.5 ms / Interval 20 ms
<b>HOUSING MATERIAL</b>	ALUMINUM	
<b>OPERATING TEMPERATURE</b>	°C	- 40.0 ~ + 80.0
<b>WEIGHT</b>	3.0 g	

**DIMENSIONS**

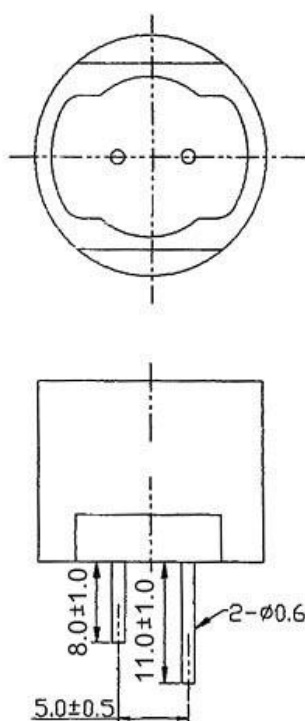
UNIT : mm

TOP VIEW

BOTTOM VIEW

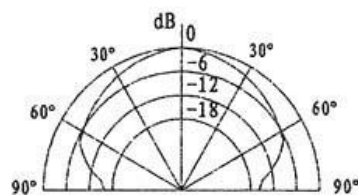


SIDE VIEW

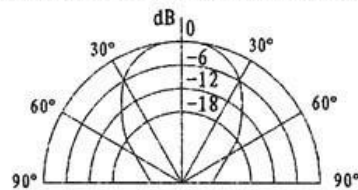


SIDE VIEW

Testing conditions  
Frequency 40KHz  
Input voltage Rectangle wave 10Vp-p  
Distance 10cm

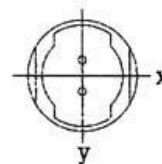
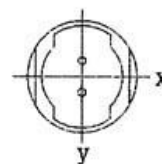


X-axis Directivity In Sound Pressure Level



Y-axis Directivity In Sound Pressure Level

Testing conditions  
Frequency 40KHz  
Input voltage Rectangle wave 10Vp-p  
Distance 31.6cm 18.4deg



Modify :	Date :	By :

Approved By : Jan  
Date : 5-Jan.-2011

Prepared By : Jy  
Date : 5-Jan.-2011