

THIS DRAWING IS UNPUBLISHED.

RELEASED FOR PUBLICATION

-,-

REVISIONS

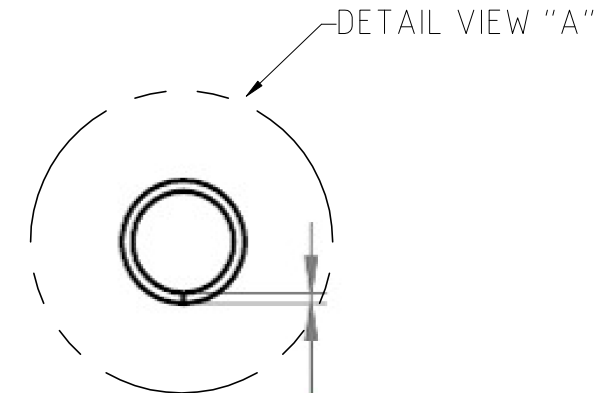
© COPYRIGHT - TE Connectivity Ltd.

ALL RIGHTS RESERVED.

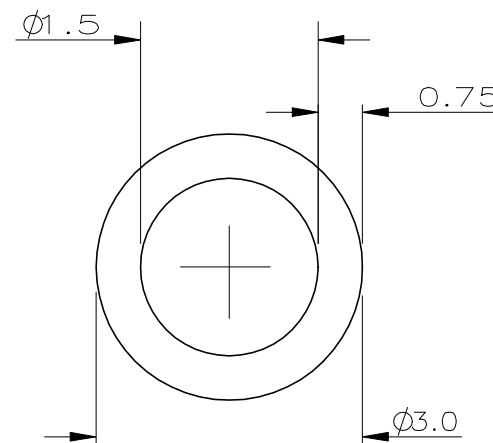
P	LTR	DESCRIPTION	DATE	DWN	APVD
	A	INITIAL RELEASE	22FEB2019	GK	LS



Helical Pitch



Wall Thickness



BUNDLE RANGE : 1.5 TO 7mm DIA

DETAIL "A"  
SCALE 1:2

ALL DIMENSIONS ARE NOMINAL, UNLESS WHERE SPECIFIED.

TE PART NO	US EQUIVALENT PART NUMBER	LENGTH (M)	HELICAL PITCH (mm)
142829-4	TUBING SPIRAP 500000-4	75	5±2

THIS DRAWING IS A CONTROLLED DOCUMENT.		DWN G.ROBERT 02/26/88	<b>TE</b> TE Connectivity		
		CHK G.ROBERT 02/26/88			
DIMENSIONS: mm		APVD -	NAME SPIRAP-3-NAT-PE		
		PRODUCT SPEC -			
TOLERANCES UNLESS OTHERWISE SPECIFIED:		APPLICATION SPEC -			
0 PLC ± - 1 PLC ± - 2 PLC ± 0.13 3 PLC ± - 4 PLC ± - ANGLES ± 0'30'		WEIGHT	SIZE A3	CAGE CODE 00779	DRAWING NO 142829
MATERIAL POLYETHYLENE		FINISH -	RESTRICTED TO -		
		CUSTOMER DRAWING	SCALE -	SHEET 1 of 1	REV A