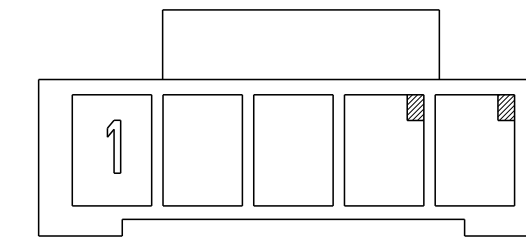
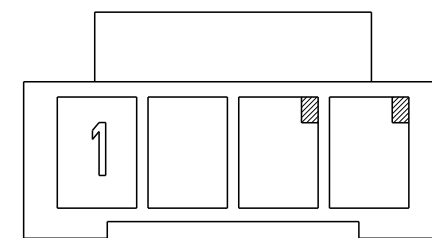
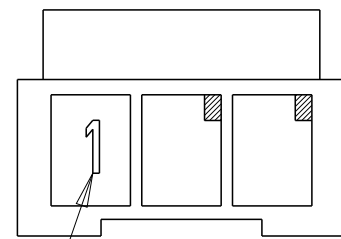
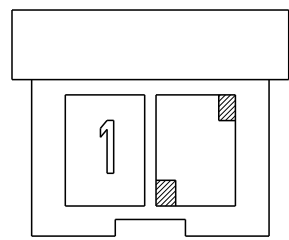
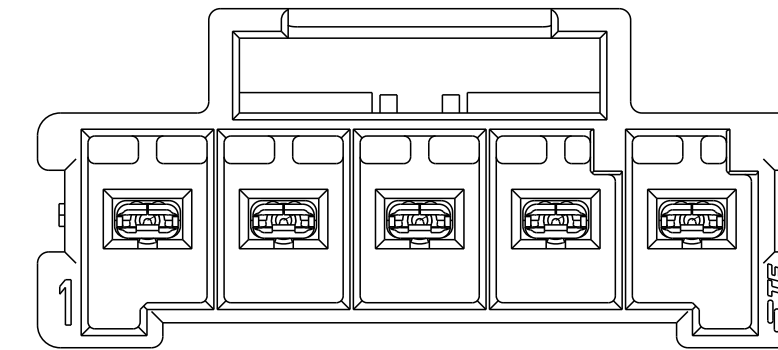
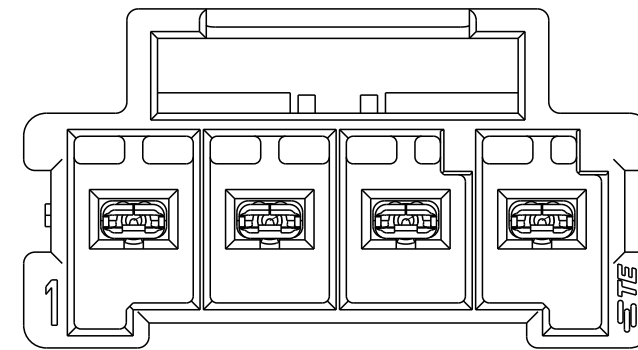
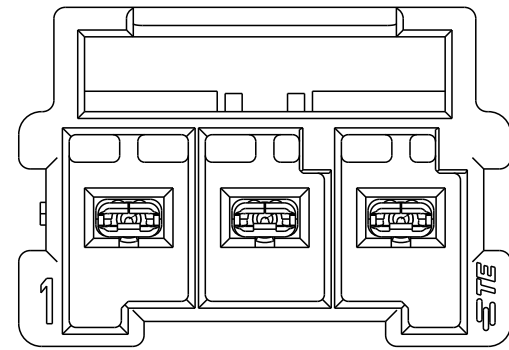
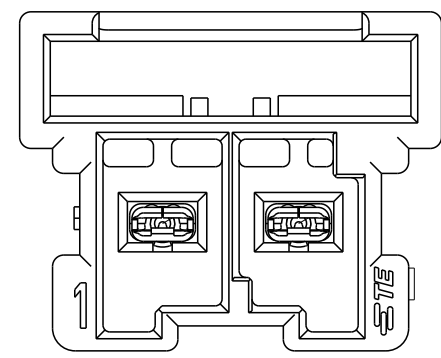
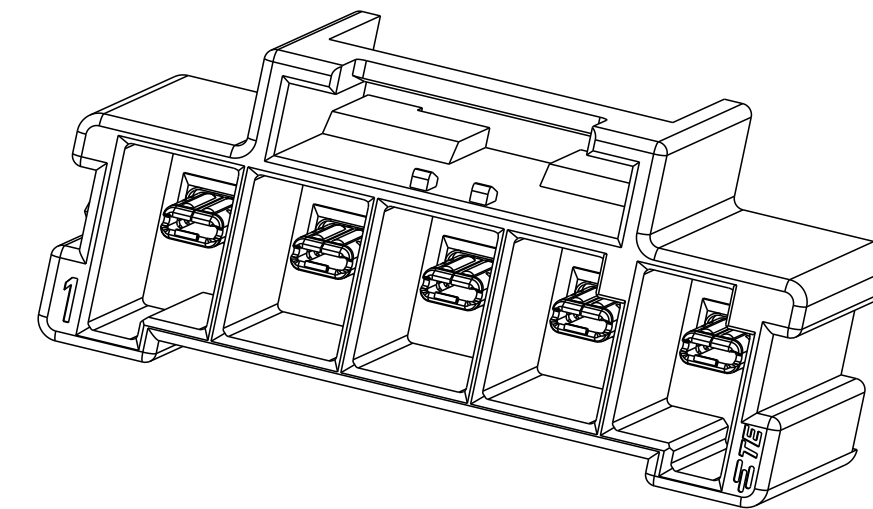
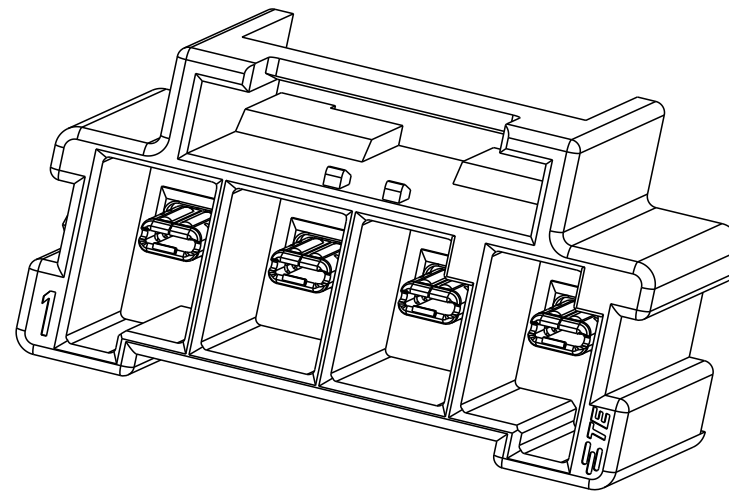
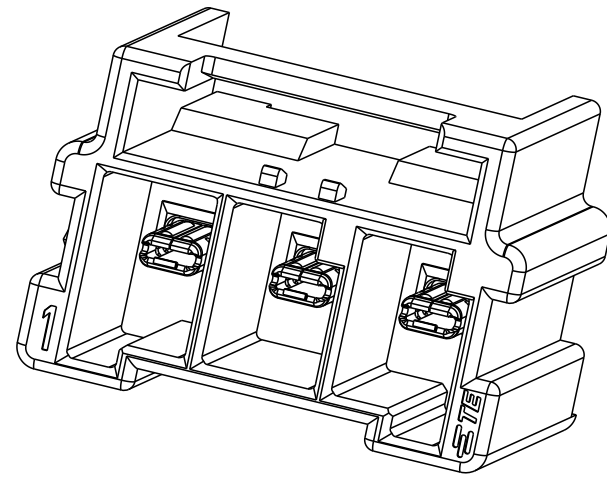
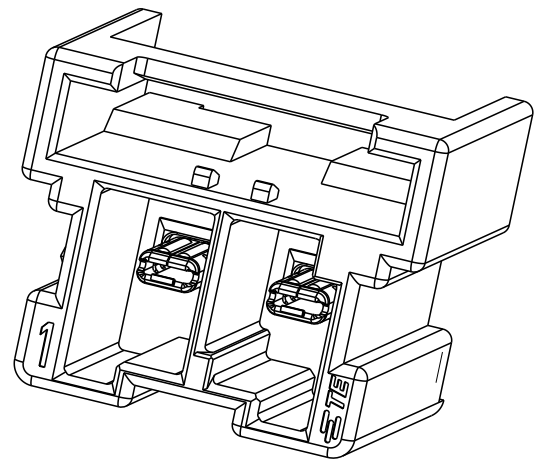




THIS DRAWING IS UNPUBLISHED. RELEASED FOR PUBLICATION  
 © COPYRIGHT copyright dbte ALL RIGHTS RESERVED.

REVISIONS				
P	LTR	DESCRIPTION	DATE	APVD
-		SEE SHEET 1	-	-

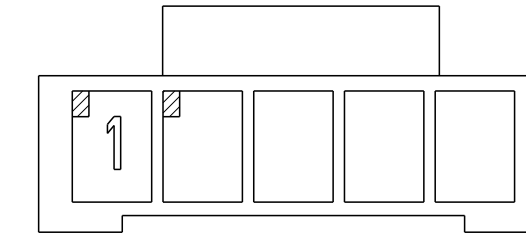
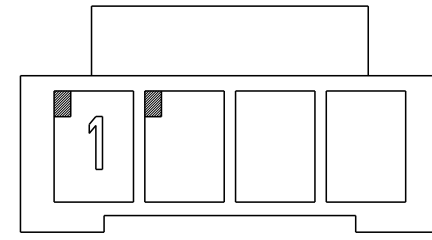
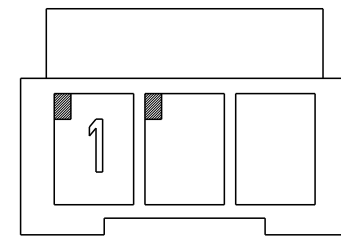
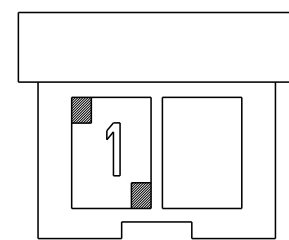


KEY A  
SCALE 2:1

POSITION # — KEY A  
SCALE 2:1

KEY A  
SCALE 2:1

KEY A  
SCALE 2:1




KEY B  
SCALE 2:1

KEY B  
SCALE 2:1

KEY B  
SCALE 2:1

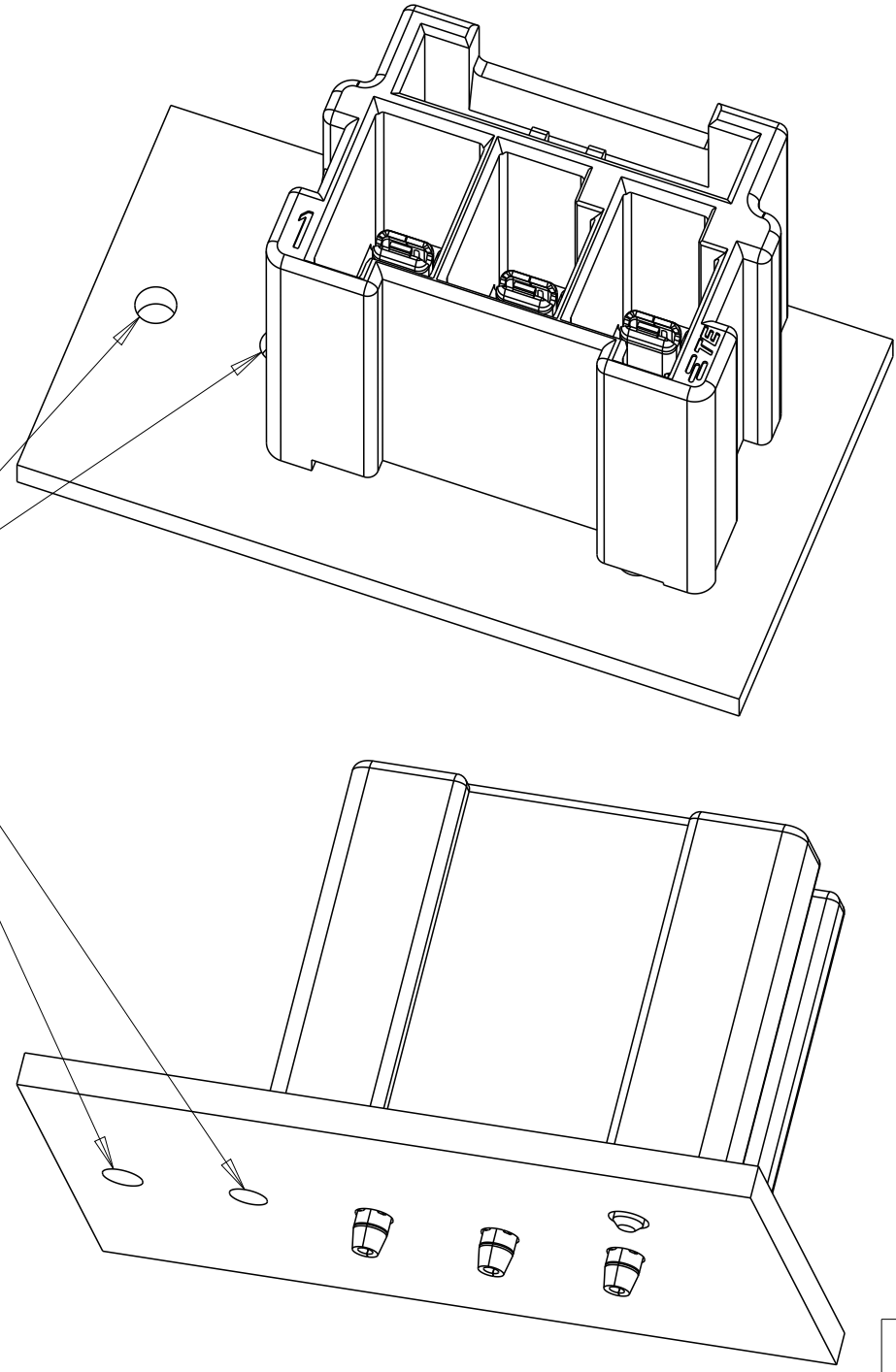
KEY B  
SCALE 2:1

THIS DRAWING IS A CONTROLLED DOCUMENT.		DWN JR RUTH 05JUN14	 TE Connectivity													
DIMENSIONS: mm		CHK DOMINIC FAROLE 05JUN14														
TOLERANCES UNLESS OTHERWISE SPECIFIED:		APVD GENE JACONO 05JUN14														
<table border="1"> <tr><td>0 PLC</td><td>±</td></tr> <tr><td>1 PLC</td><td>±0.3</td></tr> <tr><td>2 PLC</td><td>±0.25</td></tr> <tr><td>3 PLC</td><td>±</td></tr> <tr><td>4 PLC</td><td>±</td></tr> <tr><td>ANGLES</td><td>±</td></tr> <tr><td>FINISH</td><td>±</td></tr> </table>		0 PLC		±	1 PLC	±0.3	2 PLC	±0.25	3 PLC	±	4 PLC	±	ANGLES	±	FINISH	±
0 PLC	±															
1 PLC	±0.3															
2 PLC	±0.25															
3 PLC	±															
4 PLC	±															
ANGLES	±															
FINISH	±															
MATERIAL SEE TABLE	PRE-TIN	APPLICATION SPEC 114-32136	NAME ASSEMBLY, HEADER, POWER TRIPLE LOCK, PC BOARD													
		WEIGHT -	SIZE A2													
		Customer Drawing	DRAWING NO C-1969688													
		SCALE 3:1	RESTRICTED TO -													
		SHEET 2 OF 3	REV A3													

THIS DRAWING IS UNPUBLISHED. RELEASED FOR PUBLICATION  
 © COPYRIGHT copyright.d8te- ALL RIGHTS RESERVED.


REVISIONS					
P	LTR	DESCRIPTION	DATE	DWN	APVD
-	-	SEE SHEET 1	-	-	-

ADDITIONAL HOLES FOR 4 AND 5 POSITION HEADERS. NOT REQUIRED IF ONLY 3 POSITION IS USED.



3 POSITION SHOWN ON PC BOARD, BOARD NOT SUPPLIED ( ILLUSTRATION ONLY )

6-1971773-5	COPPER ALLOY	NYLON 150°C	5	25.10	33.7	31.3	RED	B	△ <sub>6</sub>	2-1969688-5
6-1971773-4			4	19.10	27.7	25.3	RED	B	△ <sub>6</sub>	2-1969688-4
6-1971773-3			3	13.10	21.7	19.3	RED	B	△ <sub>6</sub>	2-1969688-3
6-1971773-2			2	7.10	15.7	13.3	RED	B	△ <sub>6</sub>	2-1969688-2
5-1971773-7	COPPER ALLOY	NYLON 150°C	5	25.10	33.7	31.3	LIGHT GREY	A	△ <sub>6</sub>	1-1969688-5
5-1971773-4			4	19.10	27.7	25.3	LIGHT GREY	A	△ <sub>6</sub>	1-1969688-4
5-1971773-3			3	13.10	21.7	19.3	LIGHT GREY	A	△ <sub>6</sub>	1-1969688-3
9-1971773-2			2	7.10	15.7	13.3	LIGHT GREY	A	△ <sub>6</sub>	1-1969688-2
1-1971773-7	COPPER ALLOY	PBT 105°C	5	25.10	33.7	31.3	NATURAL	A	△ <sub>8</sub>	1969688-5
1-1971773-4			4	19.10	27.7	25.3	NATURAL	A	△ <sub>8</sub>	1969688-4
1-1971773-3			3	13.10	21.7	19.3	NATURAL	A	△ <sub>8</sub>	1969688-3
1-1971773-2			2	7.10	15.7	13.3	NATURAL	A	△ <sub>8</sub>	1969688-2
MATING PLUG	CONTACT MATERIAL	HOUSING MATERIAL	NO. OF POS.	DIM P	DIM L	DIM K	COLOR	KEY	PART NUMBER	

THIS DRAWING IS A CONTROLLED DOCUMENT.		DWN JR RUTH 05JUN14	 TE Connectivity
DIMENSIONS: mm		CHK DOMINIC FAROLE 05JUN14	
TOLERANCES UNLESS OTHERWISE SPECIFIED:		APVD GENE JACONO 05JUN14	
0 PLC ± 1 PLC ±0.3 2 PLC ±0.25 3 PLC ± 4 PLC ± ANGLES ± FINISH		NAME ASSEMBLY, HEADER, POWER TRIPLE LOCK, PC BOARD PRODUCT SPEC 108-32090 APPLICATION SPEC 114-32136 WEIGHT - Customer Drawing	
MATERIAL SEE TABLE	PRE-TIN	SIZE A2	CAGE CODE - DRAWING NO C-1969688 RESTRICTED TO - SCALE 3:1 SHEET 3 OF 3 REV A3