



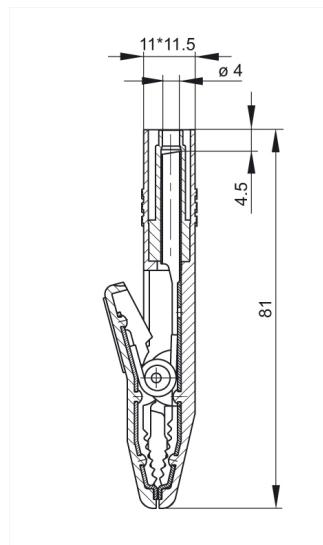
AK 2 B rot/red

Industrial Connectors:Measuring and Testing Equipment:Alligator clips:4 mm safety system

Product description

| | |
|----------------------|--|
| Description | Contact-protected, unbreakable alligator clip. Clamping range up to a bolt diameter of 9.5 mm. The flat section of the clamping jaws allows extremely fine wires to be clamped. 4 mm diameter brass socket connection. |
| Type | AK 2 B rot/red |
| Order No. | 932 435-101 |
| System | 4 mm safety system |
| Clamping range | 9.5 mm |
| Housing Color | red |
| Other standard types | black color, order no. 932 435-100 |

Drawing



Technical data

| | |
|----------------------|-------------|
| Type of contact | socket |
| Type of termination | 4 mm socket |
| Standard | IEC 61010 |
| Rated voltage | AC/DC 300 V |
| Measurement Category | CAT II |
| Rated current | 25 A |
| Contact resistance | 10 mOhm |
| Certificates | CE |

Material

| | |
|--------------------------|---------------|
| Contact material | brass |
| Contact surface material | nickel-plated |
| Housing material | PP |

Environmental conditions

| | |
|-------------------|------------------|
| Temperature range | -25 °C to +80 °C |
|-------------------|------------------|

Inflammability class

