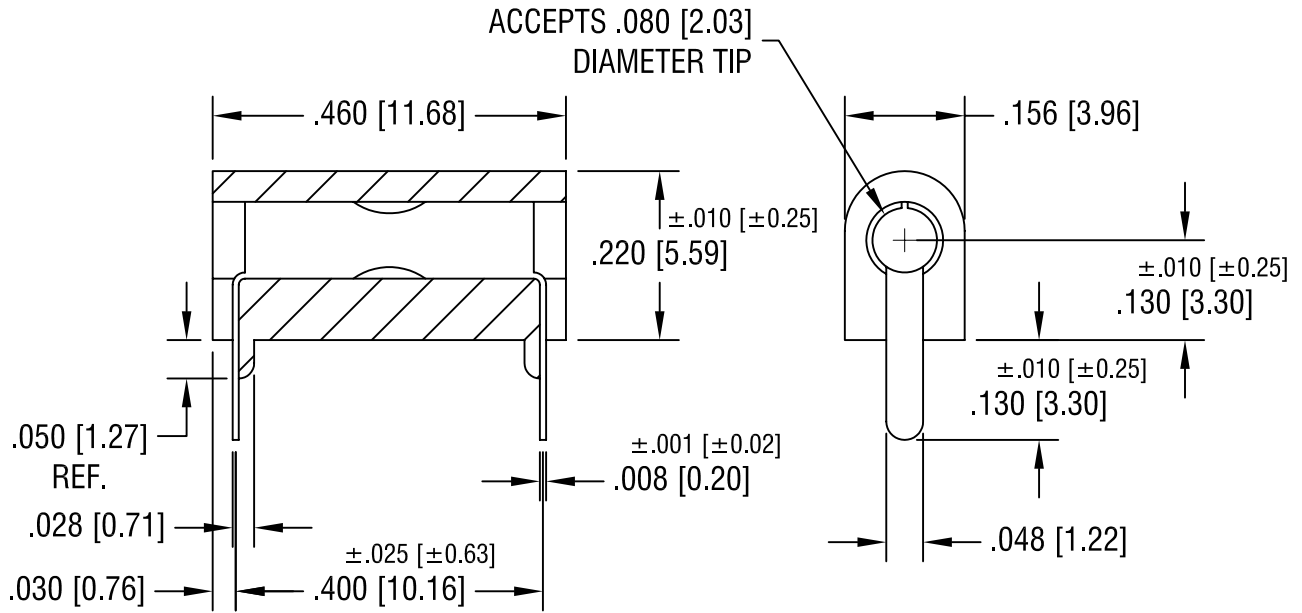


THIS DOCUMENT IS THE PROPERTY OF KEYSTONE ELECTRONICS CORP. AND SHALL NOT BE REPRODUCED, DISTRIBUTED OR USED AS A BASIS FOR MANUFACTURE WITHOUT PRIOR WRITTEN PERMISSION FROM KEYSTONE ELECTRONICS CORP.



NOTES:

1. BODY: MAT'L - NYLON  
CONTACT: MAT'L - BERYLLIUM COPPER  
FINISH - GOLD PLATE
2. MOUNTING HOLES: .052 [1.32] DIA.

PART NO.	BODY COLOR
6060	WHITE
6061	RED
6062	BLACK
6063	YELLOW
6064	GREEN
6065	BLUE

**KEYSTONE ELECTRONICS CORP.**

ASTORIA, N.Y. 11105-2017

PART NAME LOW PROFILE HORIZONTAL PC PHONE JACK			
MATERIAL AS NOTED			
FINISH AS NOTED		DRN BY BOONE	DATE 12.14.03
		APP'D LN	SCALE 4X
TOLERANCES INCH [MM]	CODE	DWG NO.	
DECIMAL ±.005 [±0.15]	C	6060 - 6065	
ANGULAR ± 1° UNLESS OTHERWISE SPECIFIED			

7.8.05	CHANGE AS PER ECN 05-044	D
DATE	DESCRIPTION	REV.