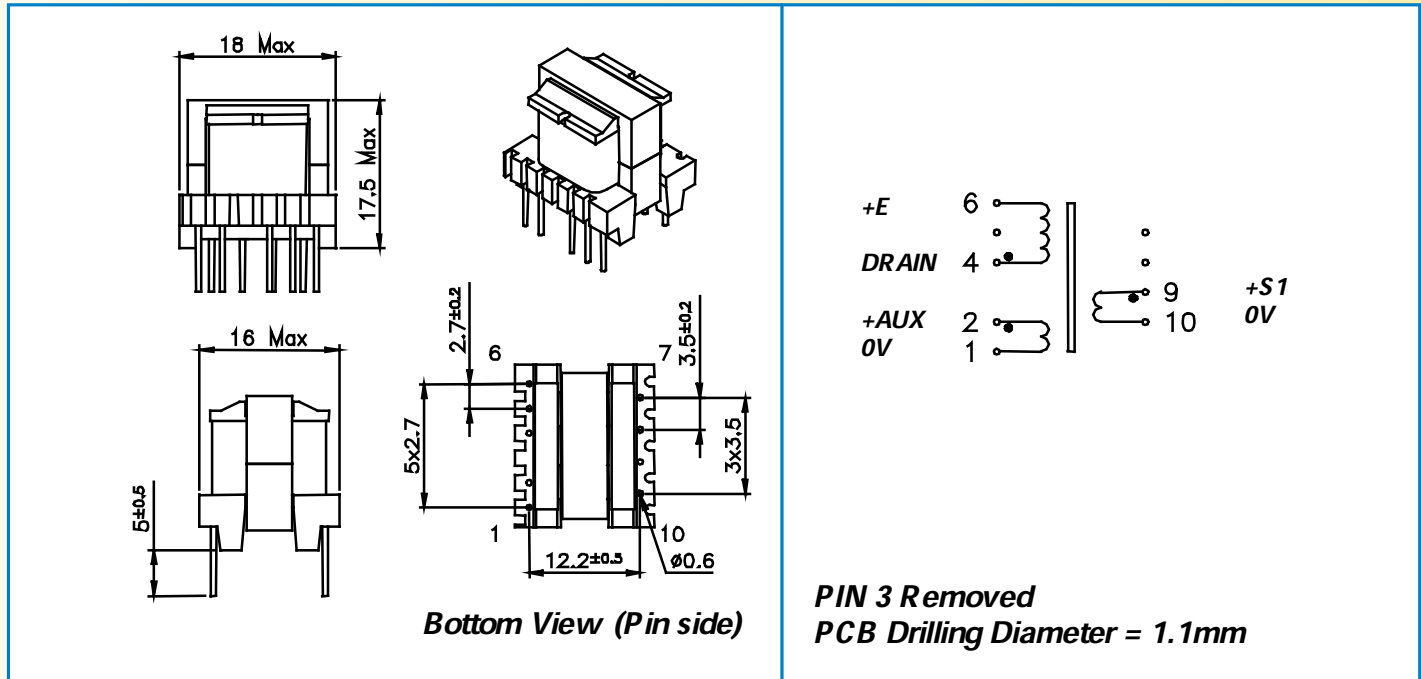


**FLYBACK TRANSFORMER**

**SIZE E16 † SINGLE OUTPUT : 5 or 12v**

- † Primary / Secondary Insulation ≥ 4000V
- † Primary / Auxiliary Insulation ≥ 1500V
- † Creepage distance Primary / Secondary ≥ 6mm
- † Ambient temperature < 60°C
- † Construction conforms to IEC950, IEC335, IEC61558 for reinforced insulation
- † Exclusively uses UL94-V0 listed materials



MYRRA P / N	Output Power maximum	Windings					
			Pins	Turns	Voltage	Current maximum	Inductance (+/-10%)
74001	6 w	Pri	4 - 6	138	60 120 (VOR)	0.35 Apeak	3000±H
		Aux	2 - 1	20	8 16 Vdc	0.1 Adc	
		S1	9 - 10	8	3 6 Vdc	1.2 Adc	
74002	6 w	Pri	4 - 6	150	60 120 (VOR)	0.38 Apeak	3000±H
		Aux	2 - 1	22	8.5 17 Vdc	0.1 Adc	
		S1	9 - 10	24	9 18 Vdc	0.5 Adc	

Examples of application with Integrated Circuits :

MYRRA P / N	Control IC Manufacturer	Control IC P / N	Input voltage	Power	Frequency
74001	Power Integrations	TOP242P	85 - 265Vrms	6w	132kHz
	ST Microelectronics	VIPer20	85 - 265Vrms	6w	70kHz
	ST Microelectronics	VIPer20	85 - 265Vrms	3w	40kHz
	Motorola	MC33369	85 - 265Vrms	6w	100kHz
	Infineon	TDA16831	185 - 265Vrms	6w	100kHz
74002	Power Integrations	TOP242P	85 - 265Vrms	6w	132kHz
	ST Microelectronics	VIPer20	85 - 265Vrms	6w	70kHz
	ST Microelectronics	VIPer20	85 - 265Vrms	3w	40kHz
	Motorola	MC33369	85 - 265Vrms	6w	100kHz
	Infineon	TDA16831	185 - 265Vrms	6w	100kHz