

Data sheet

256-743

**MODULAR PCB TERMINAL BLOCK 2 SOLDER PINS / POLE
PIN SPACING 5/5.08 MM / 0.2 IN FRONT-ENTRY CAGE CLAMP CONNECTION**



Technical data

Package size 600 6*100 pieces.

Pin spacing from	5 mm
Pin spacing up to	5.08 mm
Pin spacing from	0.197 in
Pin spacing up to	0.2 in
pole count	4
Cross section from [mm ²]	0.08 mm ²
Cross section to [mm ²]	2.5 mm ²
Cross section from [AWG]	28 AWG
Cross section to [AWG]	12 AWG
Voltage UL	300 V
Voltage CSA	300/600 V
Current UL	15 A
Current CSA	15/5 A
Measured voltage EN	250 V
Measured shock voltage	4 kV
Pollution degree	3
Current intensity EN	16 A
Measured voltage EN	500 V
Measured shock voltage	4 kV
Pollution degree	2
Current intensity EN	16 A
Weight	2.81 g
Color	light grey

Data sheet**256-743****MODULAR PCB TERMINAL BLOCK 2 SOLDER PINS / POLE
PIN SPACING 5/5.08 MM / 0.2 IN FRONT-ENTRY CAGE CLAMP CONNECTION**

Wiring type	Angled Type
No. of connection Points	1
No. of potentials	1
Height	18.2 mm
Height	0.72 in
Width	5 mm
Width	0.197 in
Depth	17.6 mm
Depth	0.693 in
Strip length from	5 mm
Strip length to	6 mm
Strip length	0.22 in
xxx-xxx/332-000	with 5,5 mm long solder pins

Data sheet

256-743

**MODULAR PCB TERMINAL BLOCK 2 SOLDER PINS / POLE
PIN SPACING 5/5.08 MM / 0.2 IN FRONT-ENTRY CAGE CLAMP CONNECTION**

Approval	Voltage	Current	Approval number	Notes
BBJ	250	16	B/12/697/03	
BV	500/250	16	11915/A0	
CCA	250	16	DK2082	
CSA	300/600	15/5	18677-45	
CSM	500/1000	16	017956	
DEMKO	500	16	98-04355	
DNV	500/250	16	E6998	
GL	500/250	16	17296-00HH	
KEMA	380		93.9001.01	
RMR	250	16	99.00007.250	
RosTesT	500/1000	16	B09523	
UL	300	15	E45172	

Data sheet

256-743

MODULAR PCB TERMINAL BLOCK 2 SOLDER PINS / POLE PIN SPACING 5/5.08 MM / 0.2 IN FRONT-ENTRY CAGE CLAMP CONNECTION

Accessories

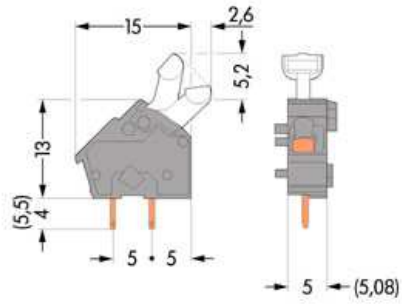
Item number

END PLATE SNAP FIT TYPE	256-300
Jumper GDS RM 5mm	Jumper PCB Spacing 5mm
Jumper GDS RM 7,5mm	Jumper PCB Spacing 7.5mm
Profile PCB 236, 255, 256	Profile PCB 236, 255, 256
Profile PCB 257, 736, 737, 738	Profile PCB 257, 736, 737, 738
SCREWDRIVER 3.5 X 0.5 MM / 0.137 X 0.019IN	210-257
SCREWDRIVER 3.5 X 0.5 MM / 0.137 X 0.019IN	210-258
SCREWDRIVER Type 2, bar (3,5 x 0,5) mm	210-120
SCREWDRIVER WITH PARTIALLY INSULATED SHAFT Type 2, bar (3,5 x 0,5) mm	210-620
SELF-ADHESIVE MARKER STRIPS SUITABLE FOR TERMINAL STRIPS WITH PIN SPACING 5 MM	249-161
SELF-ADHESIVE MARKER STRIPS SUITABLE FOR TERMINAL STRIPS WITH PIN SPACING 5 MM	249-162
SELF-ADHESIVE MARKER STRIPS SUITABLE FOR TERMINAL STRIPS WITH PIN SPACING 5 MM	249-163
SELF-ADHESIVE MARKER STRIPS SUITABLE FOR TERMINAL STRIPS WITH PIN SPACING 5 MM	249-164
SELF-ADHESIVE MARKER STRIPS SUITABLE FOR TERMINAL STRIPS WITH PIN SPACING 5 MM	249-160/237-106
SELF-ADHESIVE MARKER STRIPS SUITABLE FOR TERMINAL STRIPS WITH PIN SPACING 5.08 MM	249-166
SELF-ADHESIVE MARKER STRIPS SUITABLE FOR TERMINAL STRIPS WITH PIN SPACING 5.08 MM	249-167
SELF-ADHESIVE MARKER STRIPS SUITABLE FOR TERMINAL STRIPS WITH PIN SPACING 5.08 MM	249-168
SELF-ADHESIVE MARKER STRIPS SUITABLE FOR TERMINAL STRIPS WITH PIN SPACING 5.08 MM	249-169
SELF-ADHESIVE MARKER STRIPS SUITABLE FOR TERMINAL STRIPS WITH PIN SPACING 5.08 MM	249-165/237-126
TEST PLUG SUITABLE FOR PCB TERMINAL BLOCKS, SERIES 255, 256, 257	249-110
TEST PLUG SUITABLE FOR PCB TERMINAL BLOCKS, SERIES 255, 256, 257	249-111

Data sheet

256-743

**MODULAR PCB TERMINAL BLOCK 2 SOLDER PINS / POLE
PIN SPACING 5/5.08 MM / 0.2 IN FRONT-ENTRY CAGE CLAMP CONNECTION**



Data sheet

256-743

**MODULAR PCB TERMINAL BLOCK 2 SOLDER PINS / POLE
PIN SPACING 5/5.08 MM / 0.2 IN FRONT-ENTRY CAGE CLAMP CONNECTION**

Diameter of drilled hole: 1,1^{+0,1} mm