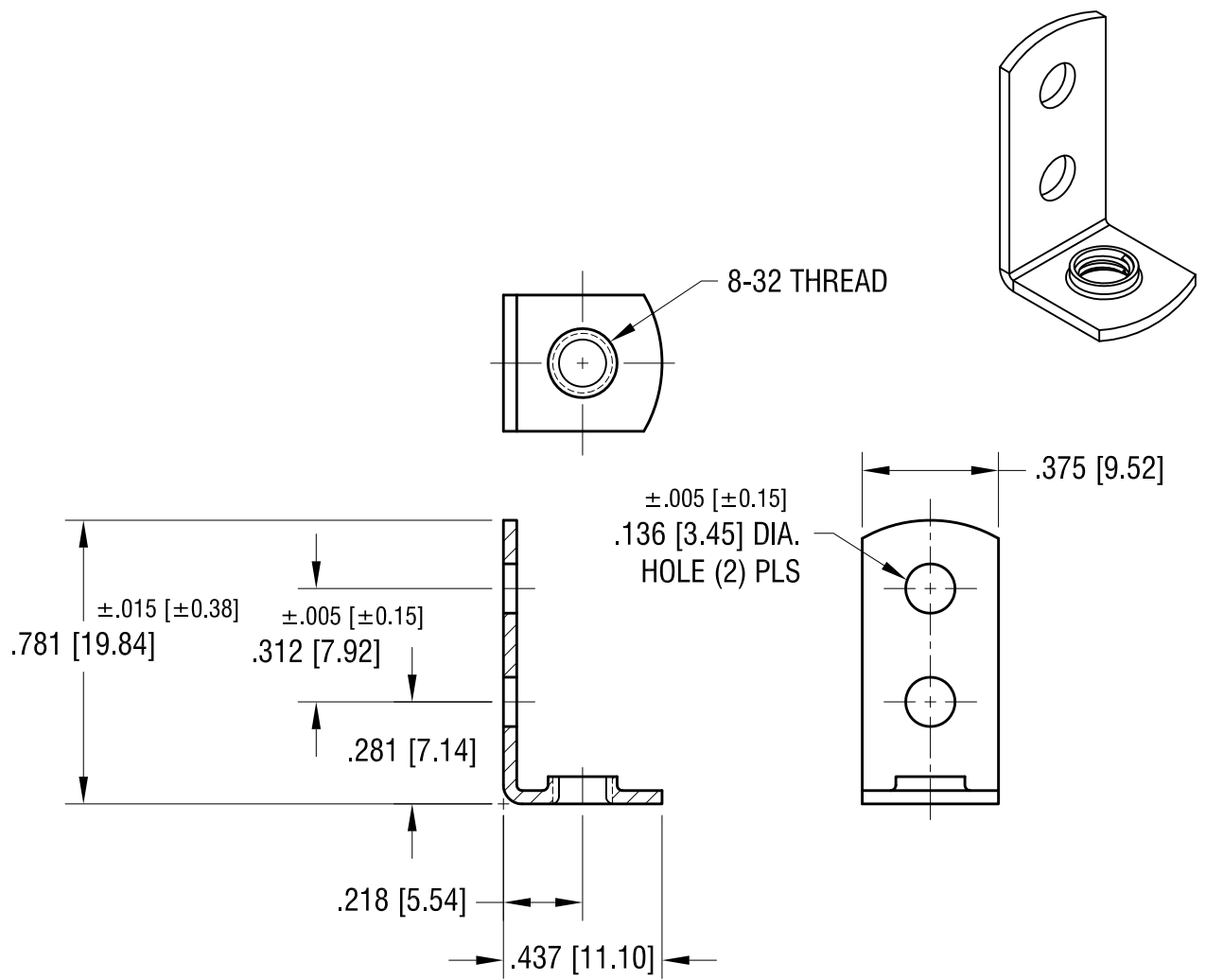


THIS DOCUMENT IS THE PROPERTY OF
KEYSTONE ELECTRONICS CORP. AND
SHALL NOT BE REPRODUCED, DISTRIBUTED
OR USED AS A BASIS FOR MANUFACTURE
WITHOUT PRIOR WRITTEN PERMISSION
FROM KEYSTONE ELECTRONICS CORP.



KEYSTONE ELECTRONICS CORP.			
www.keyelco.com • ASTORIA, N.Y. 11105-2017 • Tel (718) 956-8900			
PART NAME		THREADED BRACKET	
MATERIAL		.037 [0.94] TH'K STEEL	
FINISH		DRN BY	DATE
MATTE TIN PLATE		BOONE	9.13.95
		APP'D	SCALE
		LN	2X
TOLERANCES	INCH [MM]	CODE	DWG NO.
DECIMAL	$\pm .010 [\pm 0.25]$	C	631
ANGULAR	$\pm 1^\circ$		
UNLESS OTHERWISE SPECIFIED			

10.15.09	CHANGE AS PER ECN 09-146	B
12.16.05	CHANGE AS PER ECN 05-082	A
DATE	DESCRIPTION	REV.