



SPECIFICATIONS SHEET

PRODUCT TYPE : OPEN STRUCTURE ULTRASONIC SENSORS

PRODUCT SERIES : USO10A

DESCRIPTION : USO 9.8D 7H 10V PIN ABS RoHS

COLOR : BLACK

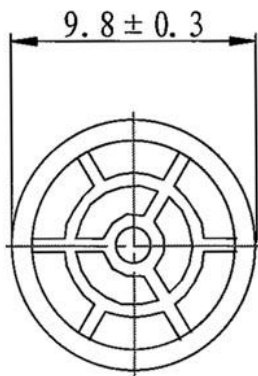
ELECTRICAL SPECIFICATIONS

MODEL NO.	USO10A07LFPA	
FUNCTION	Transmitter & Receiver	
DIAMETER (A) ± 0.3	mm	Ø 9.8
HEIGHT (B) ± 0.3	mm	7.0
SOUND PRESSURE LEVEL (0dB = 0.0002 ubar)	Min. 100.0 dB (10V rms Sine Wave / 30 cm)	
SENSITIVITY	Min. -70.0 dB (v / u bar)	
CENTER FREQUENCY	Hz	40000 ± 1000 Hz
BEAM ANGLE (- 6 dB)	100.0 ° Typical	
MAX. DRIVING VOLTAGE	V	20.0 V rms
CAPACITANCE AT 1KHz	pF	1400 ± 20 %
HOUSING MATERIAL	ABS	
OPERATING TEMPERATURE	°C	- 20.0 ~ + 70.0
STORAGE TEMPERATURE	°C	- 30.0 ~ + 80.0
WEIGHT	2.0 g	

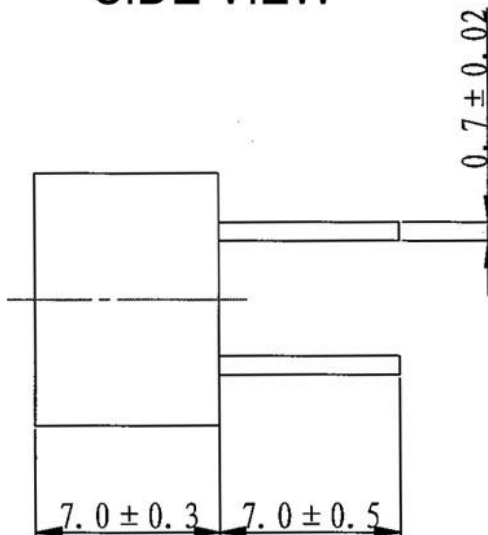
DIMENSIONS

UNIT : mm

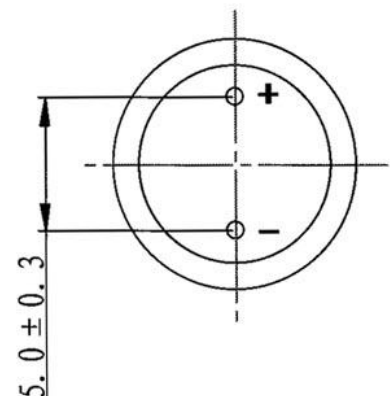
TOP VIEW




SIDE VIEW



BOTTOM VIEW



Approved By : 
Date : 19-Jun.-2014

Prepared By : 
Date : 19-Jun.-2014

Modify :	Date :	By :
Modify Electrical Spec. Sheet	19-Jun-14	Wai