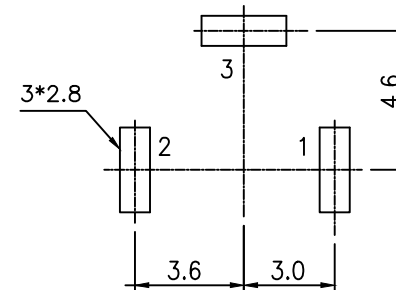
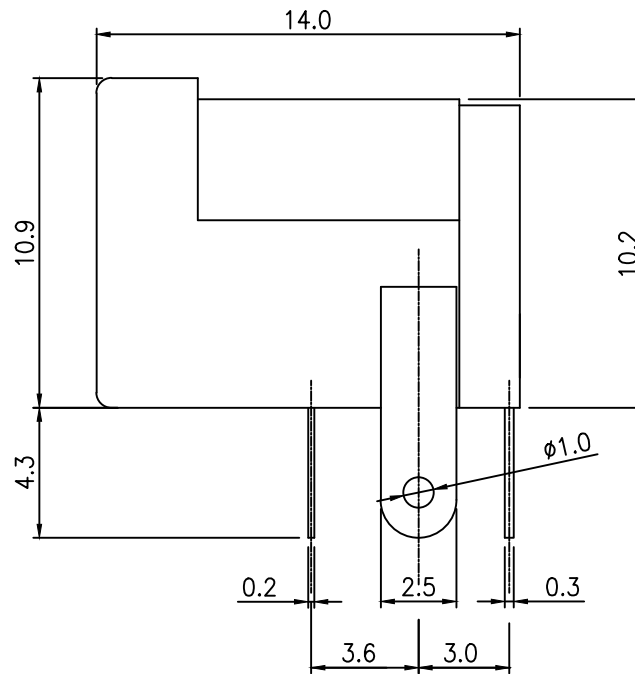
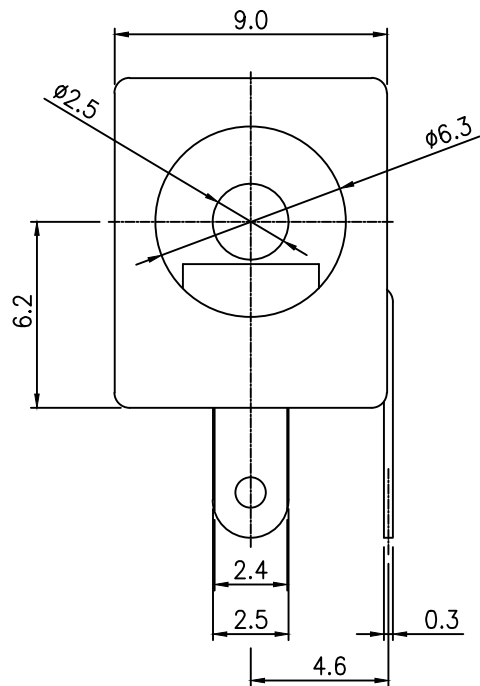


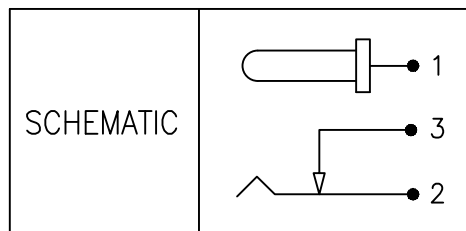
CUSTOMER BD003 FILE NO. D03-121

THIS DRAWING AND SPECIFICATIONS HEREIN ARE THE CONFIDENTIAL PROPERTY OF SAMAR AND SHALL NOT BE REPRODUCED OR COPIED OR DISCLOSED IN WHOLE OR IN PART WITHOUT WRITTEN PERMISSION.

REV.	DESCRIPTION	DRAWN / DATE	APPROVED / DATE
0	INITIAL RELEASE	FROS 05/10/2011	FROS 05/10/2011



P.C.B LAYOUT  
(BOTTOM VIEW)



Rating:

- 1. Rated Voltage: 16VDC
- 2. Rated Current: 2A

MATERIAL

- 1. Housing: ABS, Black color
- 2. Center Pin: Brass, nickel-plated
- 3. Terminal: Brass, nickel-plated

DIMENSIONS ARE IN mm [INCH]	TOLERANCES ARE FRACTIONS DECIMALS ANGLES
MOLD NO. D03-120	.x ±0.2 [0.008] .xx ±0.12 [0.005]

MATERIAL	FINISH	COLOR



2.5mm DC JACK

P/N 088194	DRAWN FROS	DATE 05/10/2011
PROJECT NO.		
SCALE 4:1	SIZE A4	SHEET 1 OF 1