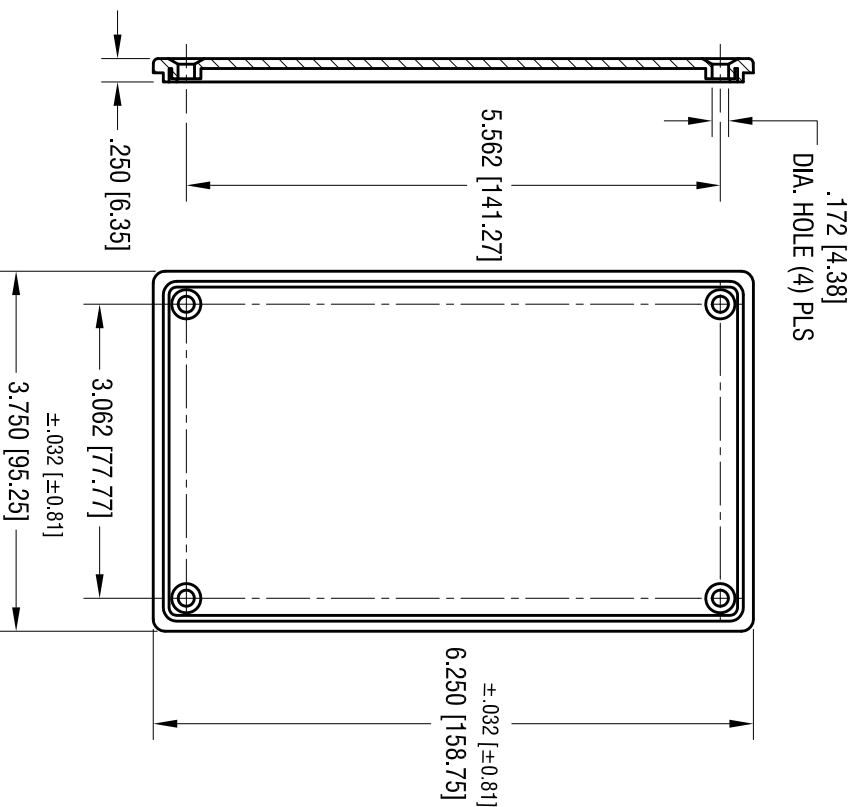
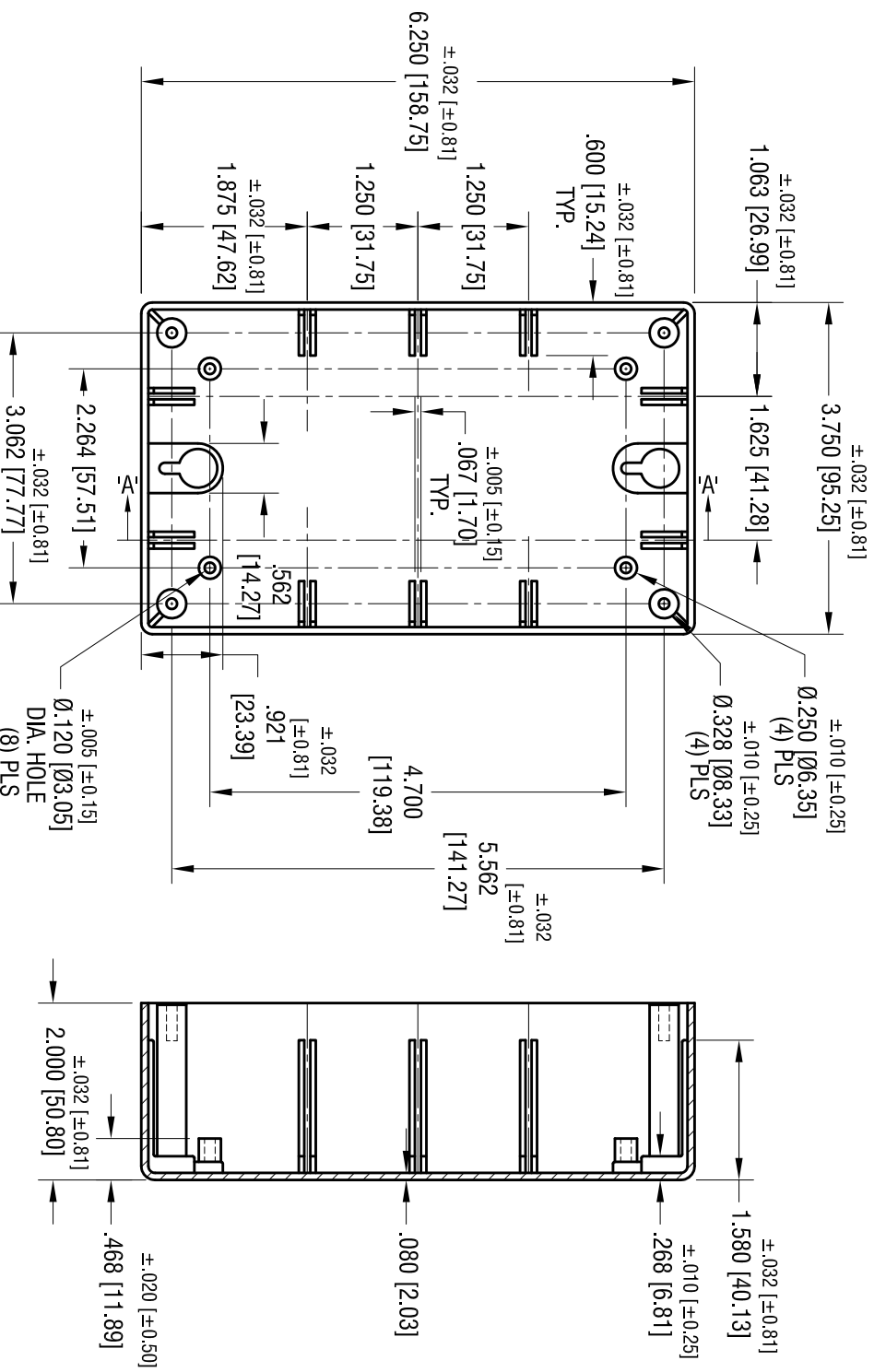


COVER



BOX



DATE	DESCRIPTION	REV.
3.29.10	CHANGE AS PER ECN 10-28 ADD COVER DETAILS	A

KEYSTONE ELECTRONICS CORP.

www.keyleco.com • ASTORIA, N.Y. 11105-2017 • Tel (718) 956-8900

PART NAME

PLASTIC INSTRUMENT CASE

MATERIAL

ABS, BLACK

FINISH

DRN BY BOONE DATE 2.13.96

TOLERANCES

INCH [MM] CODE DWG NO. LN SCALE 5X

DECIMAL ± .015 [± 0.38]

ANGULAR ± 1°

UNLESS OTHERWISE SPECIFIED

707

NOTE:
1. CASE SUPPLIED WITH COVER
AND MOUNTING SCREWS.

THIS DOCUMENT IS THE PROPERTY OF
KEYSTONE ELECTRONICS CORP. AND
SHALL NOT BE REPRODUCED, DISTRIBUTED
OR USED AS A BASIS FOR MANUFACTURE
WITHOUT PRIOR WRITTEN PERMISSION
FROM KEYSTONE ELECTRONICS CORP.