



2JW031-868-915

(DATASHEET)

Type	ISM antenna
Frequencies	ISM (868 MHz) ISM (915 MHz)
Mounting	Telematic Mount
Revision	00



P. Tipul



D. Noble



1. PRODUCT SELECTOR

868MHz

- 2JW031-868-C675N - SMA male with plastic cover (black)
- 2JW031-868-C442B - SMA male RP with plastic cover (black)
- 2JW031-868-C115N - SMA male RP (nickel plated)
- 2JW031-868-C20Nb - SMA male (black)

915MHz

- 2JW031-915-C675N - SMA male with plastic cover (black)
- 2JW031-915-C442B - SMA male RP with plastic cover (black)
- 2JW031-915-C115N - SMA male RP (nickel plated)
- 2JW031-915-C20Nb - SMA male (black)

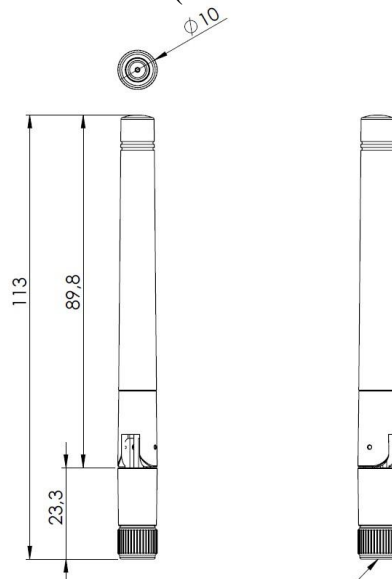
2. SPECIFICATION

2.1. Electrical Specifications

Frequencies	ISM (868 MHz) ISM (915 MHz)
Impedance	50 Ohms
Polarization	Linear
Gain	2dBi Ave.
VSWR @ 868MHz	<1.5:1
VSWR @ 915MHz	<2.5:1
Operating temperature	-40°C to +85°C

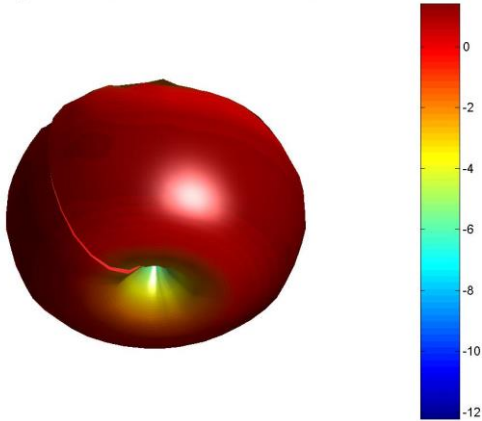
2.2. Mechanical Specifications and Dimensions

- Material: ABS
- Max. dimensions: 10mm x 113mm(depends on connector size) (D x H)
- Weight: 13 g
- Colour: Black (for different colours please ask our sales team)

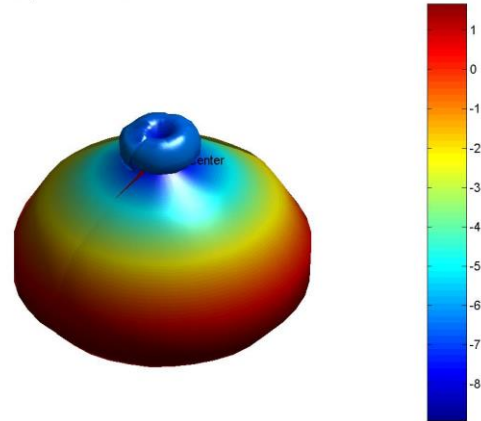


3. MEASUREMENT

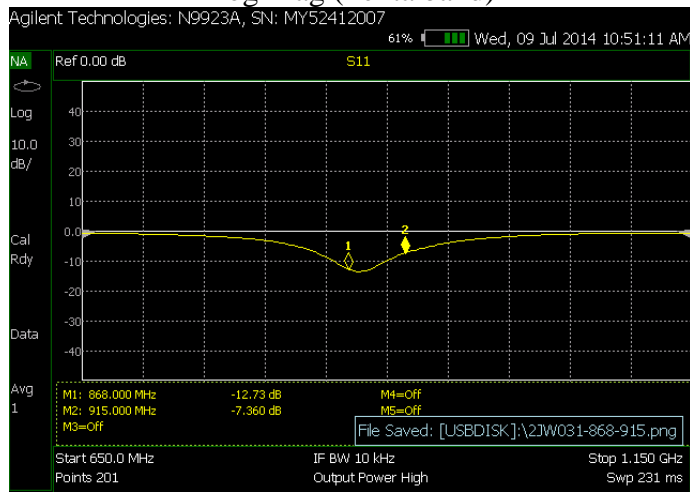
868MHz
Freq = 0.8700GHz Az= 45 EL= -45



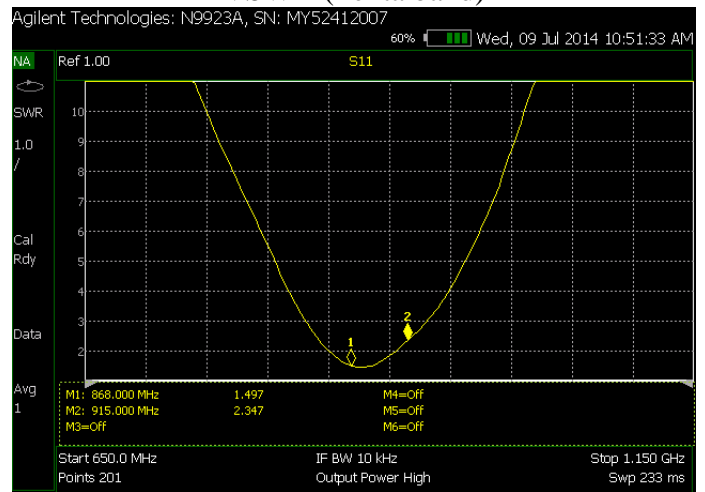
915MHz
Freq = 0.9155GHz Az= 45 EL= 45



Log Mag (Penta band)



VSWR (Penta band)



4. IMAGES

