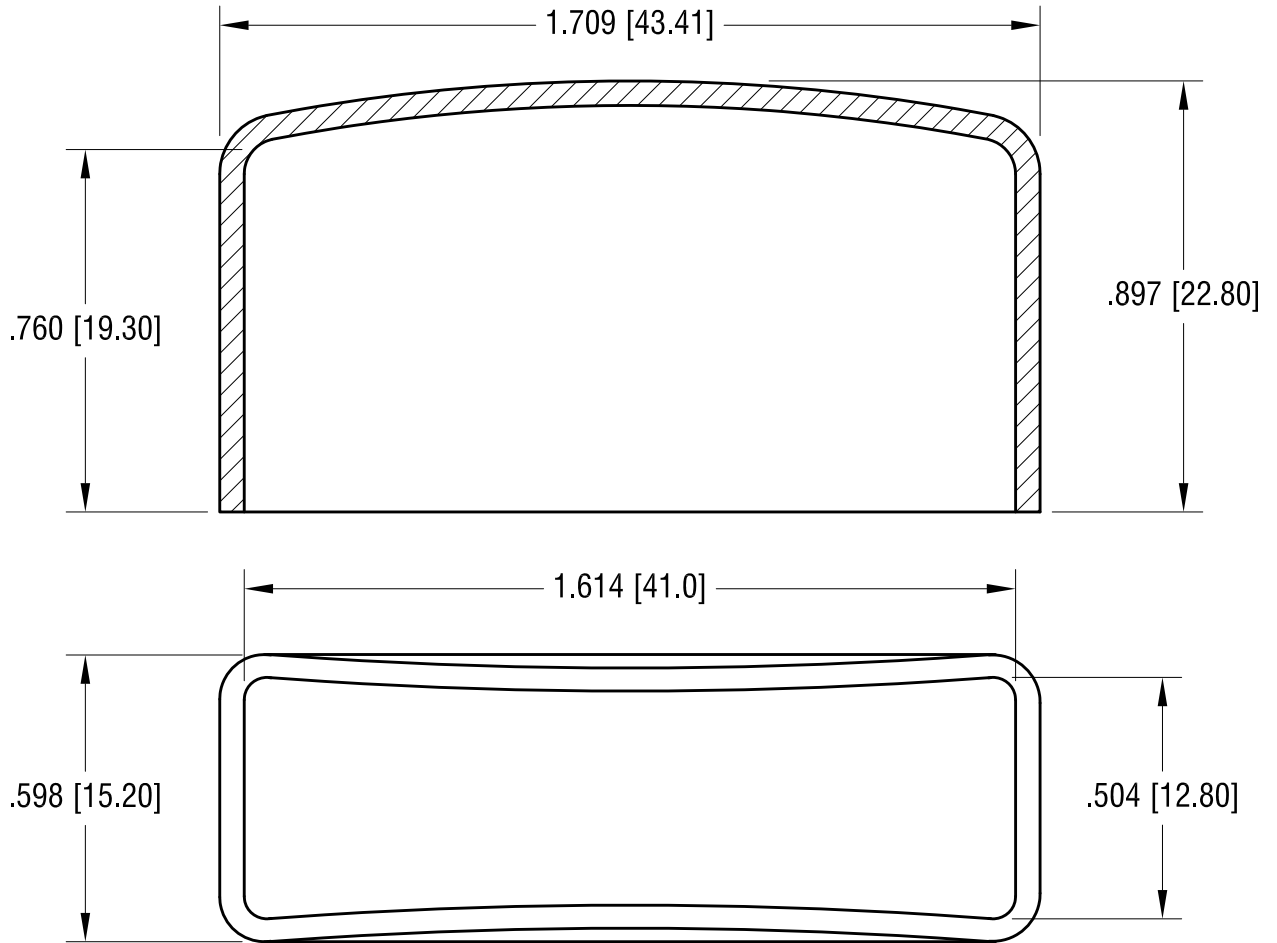


THIS DOCUMENT IS THE PROPERTY OF  
KEYSTONE ELECTRONICS CORP. AND  
SHALL NOT BE REPRODUCED, DISTRIBUTED  
OR USED AS A BASIS FOR MANUFACTURE  
WITHOUT PRIOR WRITTEN PERMISSION  
FROM KEYSTONE ELECTRONICS CORP.



**KEYSTONE ELECTRONICS CORP.**

www.keyelco.com • ASTORIA, N.Y. 11105-2017 • Tel (718) 956-8900

PART NAME

3AG FUSE HOLDER COVER

MATERIAL

PVC UL 94V-0

FINISH

-

DRN BY

LARRY

DATE

12.13.10

APP'D

LN

SCALE

2.5X

TOLERANCES

INCH [MM]

DECIMAL  $\pm .032$  [ $\pm 0.81$ ]

ANGULAR  $\pm 1^\circ$   
UNLESS OTHERWISE SPECIFIED

CODE

DWG NO.

C/M

3566C

DATE

DESCRIPTION

REV.