



SPECIFICATIONS SHEET

PRODUCT TYPE : EXTERNAL DRIVE PIEZO TRANSDUCER

PRODUCT SERIES : DB-E2388

DESCRIPTION : PZ TRANSDUCER 3V PIN PBT RoHS ENGRAVING " DB " MARKING

COLOR : BLACK

ELECTRICAL SPECIFICATIONS

MODEL NO.	238PZ17400LFPH-002
SOUND PRESSURE LEVEL	80.0 dBA Min. (3.0 Vrms , Sine Wave , 10.0 cm , 4000 Hz)
CAPACITANCE	15000 pF ± 30 % at 120 Hz
* MAX. INPUT VOLTAGE	30.0 Vp-p
OPERATING TEMPERATURE	- 20.0 ~ + 70.0 °C
STORAGE TEMPERATURE	- 30.0 ~ + 80.0 °C
TERMINAL	PIN
HOUSING MATERIAL	PBT
* WEIGHT	1.2 g

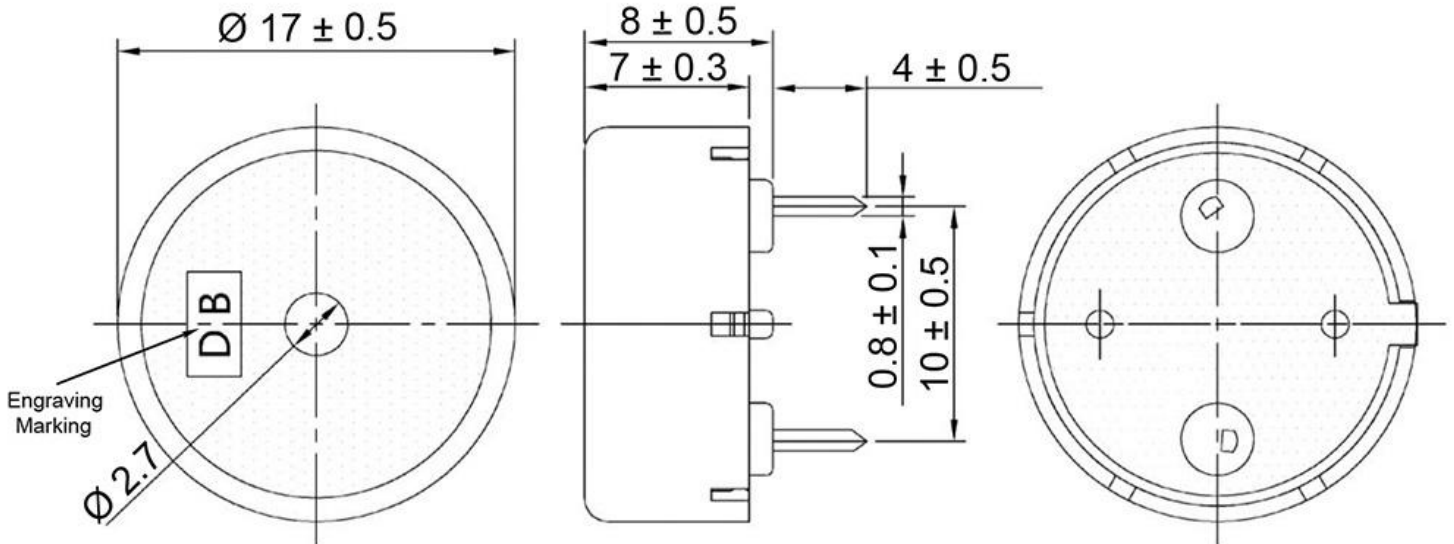
DIMENSIONS


UNIT : mm


TOP VIEW

SIDE VIEW

BOTTOM VIEW



Approved By : 
Date : 1-Sep.-2015

Prepared By : 
Date : 1-Sep.-2015

Modify :	Date :	By :