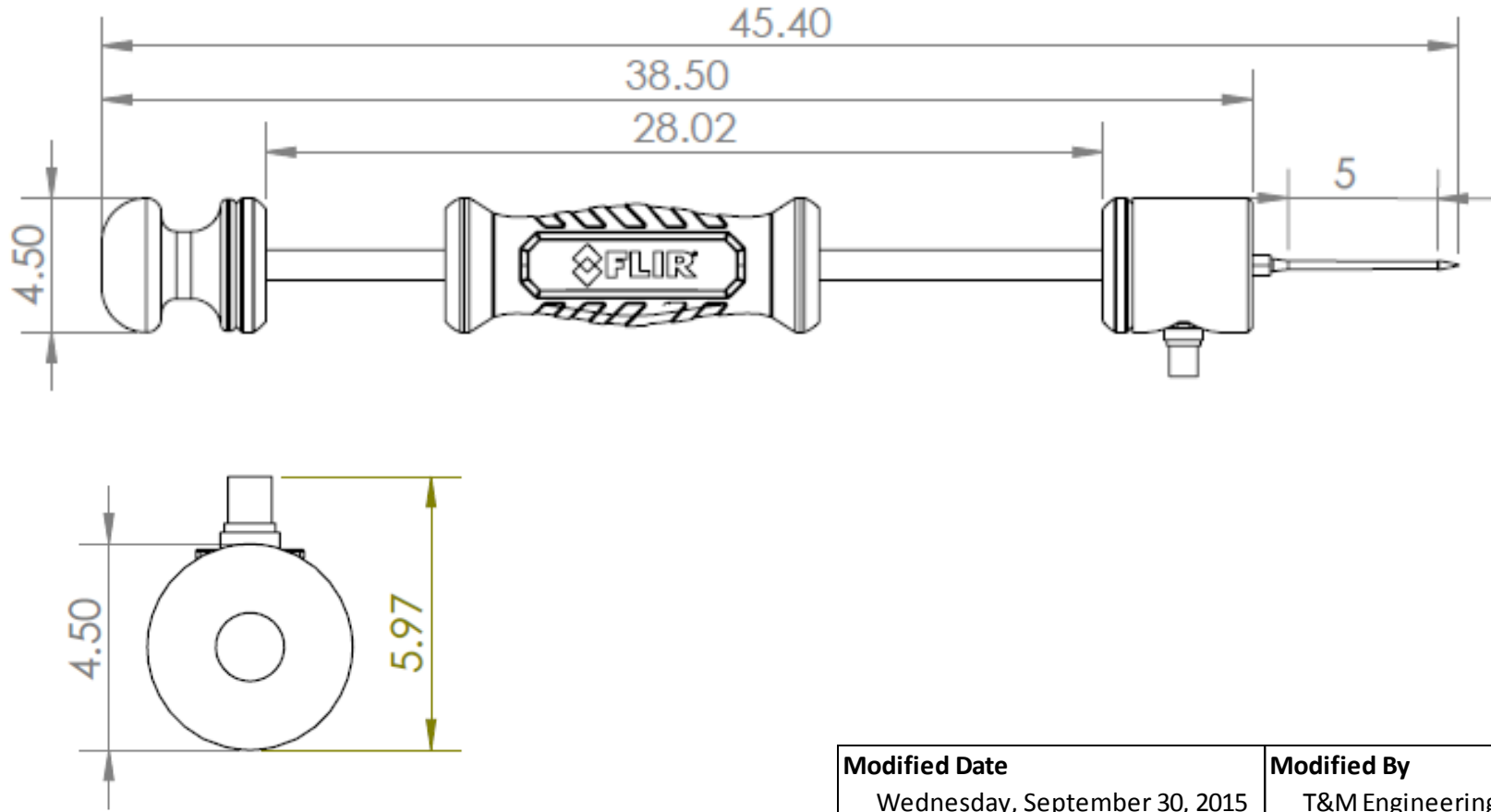


© 2015, FLIR Systems, Inc. All rights reserved worldwide. No part of this drawing may be reproduced, stored in a retrieval system, or transmitted in any form, or by any means, electronic, mechanical, photocopying, recording, or otherwise, without written permission from FLIR Systems, Inc. Specifications subject to change without further notice. Dimensional data is based on nominal values. Products may be subject to regional market considerations. License procedures may apply. Product may be subject to US Export Regulations. Please refer to exportquestions@flir.com with any questions. Diversion contrary to US law is prohibited



<b>Modified Date</b> Wednesday, September 30, 2015	<b>Modified By</b> T&M Engineering
<b>Description</b> FLIR MR07 Hammer Probe	
<b>Units</b> Centimeters	<b>Scale</b> Not to Scale